

# VISOR® V10 Object Advanced, C-Mount

Vision sensor for object detection, presence check, completeness check, position inspection and measurement tasks



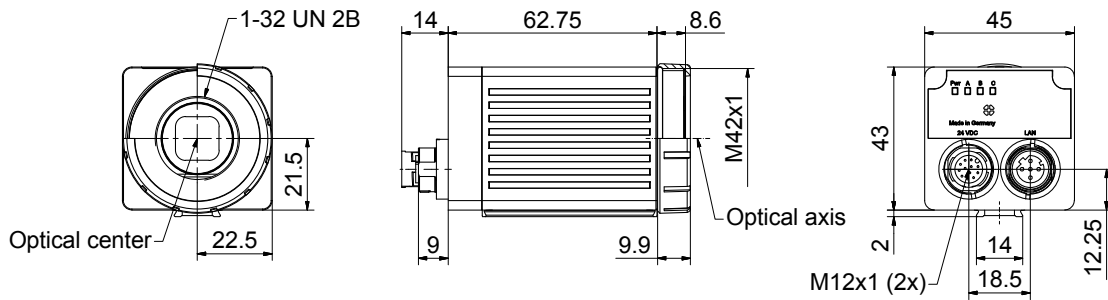
## PRODUCT HIGHLIGHTS

- User-friendly configuration and viewer software with hierarchical user rights
- Detectors for object detection
- Real-world engineering units at a mouse click
- Precise position determination: X/Y-position and orientation
- Comprehensive logic and calculation functions for maximum flexibility
- Encoder input

Optical data		Functions	
Resolution	800 x 600 pixels	Number of jobs / detectors	max. 255 / max. 255
Imaging chip CMOS	1/3.6", monochrome / color	Detectors	Position tracking; X/Y and orientation; <b>Pattern matching, contour:</b> teach-in and detection of patterns and contours; <b>Calliper:</b> distance between edges; <b>BLOB, Grey threshold, Brightness:</b> evaluation of brightness; <b>Contrast:</b> evaluation of contrast; <b>Color value<sup>1</sup>:</b> output of color values; <b>Color area<sup>1</sup>:</b> area inspection of colors, with selectable tolerance; <b>Color list<sup>1</sup>:</b> finding the most similar colors; <b>Result processing: Math:</b> checking and calculating with results from detectors
Integrated lens, focal length [mm]	C-mount		
Pixel size	4.8 µm x 4.8 µm		
Focus	Manual		
Adjustment range	Dependent on lens		
Integrated illumination	None		
Minimum field of view, X x Y	Dependent on lens		
Target laser	none		
Electrical data		Mechanical data	
Operating voltage, +U <sub>B</sub>	18 ... 30 DC <sup>2</sup>	Dimensions	70.4 x 45 x 45 mm (without plug)
Current consumption (without I/O)	≤ 300 mA	Enclosure rating	IP 67 & IP 65 <sup>3</sup>
Protective circuits	Reverse-polarity protection, U <sub>B</sub> / short-circuit protection of all outputs	Material, housing	Aluminium, die-cast, RoHS compliant
Power On Delay	Approx. 13 s after Power on	Material, front screen	Plastic
Outputs	PNP/NPN (switchable)	Ambient temperature: operation	0 ... +50 °C <sup>4</sup>
Max. output current (per output)	50 mA, 100 mA (pin 12)	Ambient temperature: storage	-20 ... +60 °C <sup>4</sup>
Switching threshold inputs incl. encoder	PNP/NPN High > U <sub>B</sub> -1 V / Low < 3 V	Weight	Approx. 200 g
Input resistance	> 20 kΩ	Plug connections	Supply and I/O M12, 12-pin Ethernet M12, 4-pin
Interfaces	Ethernet (LAN), EtherNet/IP, PROFINET, SensoWeb, Service Port	Vibration resistance	EN 60068-2-6
Inputs/outputs	2 inputs, 2 outputs, 6 selectable inputs/outputs	Shock resistance	EN 60068-2-27
Encoder	✓		

<sup>1</sup> Color hardware    <sup>2</sup> Max. ripple < 5V<sub>SS</sub>    <sup>3</sup> only with protective casing    <sup>4</sup> 80 % air humidity, noncondensing

VISOR® vision sensor



153-13555

3

Lens	C-mount protective casing for VISOR®
	

Part number	Article number
LPTVxx-G37.5	651-01006
LPTVxx-25.0	651-01007

	LOC-08-HD-30.5x0,5	LOC-12-HD-27x0,5	LOC-16-HD-27x0,5	LOC-25-HD-27x0,5	LOC-35-HD-27x0,5	LOC-50-HD-27x0,5	LOC-75-HD-34x0,5
<b>Focal length</b>	8 mm	12 mm	16 mm	25 mm	35 mm	50 mm	75 mm
<b>Article number</b>	526-51535	526-51536	526-51537	526-51538	526-51539	526-51540	526-51541

Part number	Article number	Accessories
V10-OB-A3-C-2	631-91001	Connection cables
V10C-OB-A3-C-2	631-91042	Illumination
		Lenses
		Brackets
		Interface accessories
		From Page A-46
		From Page A-33
		From Page A-28
		From Page A-4
		From Page A-53