

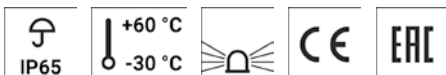
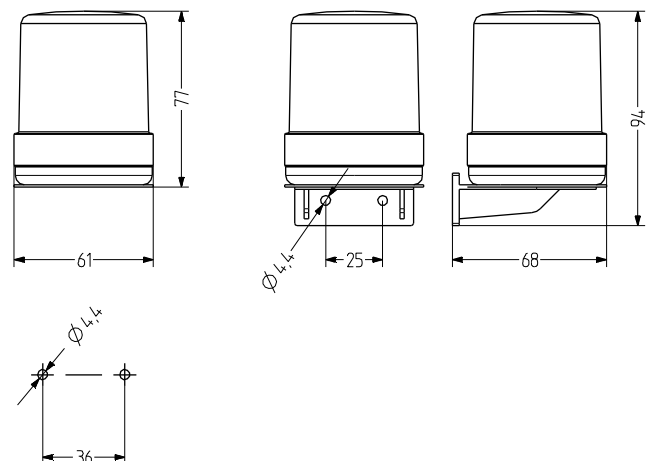
WLK Steady beacon

- Ø 60 mm steady beacon or LED steady beacon or flashing beacon
- BA15d socket for LED beacon and 7 W incandescent bulb
- High degree of protection IP 65
- For horizontal and vertical mounting
- Bayonet locking system with push button
- For general applications
- Attractive price/performance ratio



TECHNICAL DATA

Housing	Ø 60 mm, ABS black (RAL 9005) or grey (RAL 7035)
Lens	Polycarbonate, ribbed inside orange, red, clear, blue, green or yellow
Type of mounting	horizontal or vertical
Cable entry	bottom: Grommet 6–9 mm
Connection technology	Terminal 1,5 mm ²
Leakage current	0,003 A (PLC-suitable)
Beacon type	Steady beacon, LED steady beacon or LED strobe beacon
Light source	LED beacon
Duty cycle	100 %
Operating temperature	-30°C/+60°C
Degree of protection	IP65
Weight	40 g



WLK

ORDER DATA - LENS

Lens colour	Order number
orange	820 001 900
red	820 002 900
clear	820 004 900
blue	820 005 900
green	820 006 900
yellow	820 007 900



BHW



BVW

ORDER DATA - BASE

Type	Type of accessory	Weight	Order number
BHW	Base for horizontal mounting	35 g	820 520 900
BVW	Base for vertical mounting	50 g	820 530 900



WLK

Incandescent bulb

LED beacon

ORDER DATA - LIGHT SOURCE

Type	Type of accessory	Nominal voltage	Colour	Nominal current [A]	Weight	Output	Order number
GL01	Incandescent bulb	12 V		0,420		5,000 W	890 010 904
GL02	Incandescent bulb	24 V		0,270		7,000 W	890 010 905
GL03	Incandescent bulb	48 V		0,105		7,000 W	890 010 908
GL04	Incandescent bulb	60 V		0,115		7,000 W	890 010 909
GL05	Incandescent bulb	110-120 V		0,060		7,000 W	890 010 910
		230-240 V				7,000 W	890 010 913
LLB	LED flashing beacon	12 V AC/DC	orange		15 g		893 011 404
			red		15 g		893 012 404
			clear		15 g		893 014 404
			blue		15 g		893 015 404
			green		15 g		893 016 404
			yellow		15 g		893 017 404
		24 V AC/DC	orange		15 g		893 011 405
			red		15 g		893 012 405
			clear		15 g		893 014 405
			blue		15 g		893 015 405
			green		15 g		893 016 405
			yellow		15 g		893 017 405
		48 V AC/DC	orange		15 g		893 011 408
			red		15 g		893 012 408
			clear		15 g		893 014 408
			blue		15 g		893 015 408
			green		15 g		893 016 408
			yellow		15 g		893 017 408
		110 V AC	orange		15 g		893 011 310
			red		15 g		893 012 310
			clear		15 g		893 014 310
			blue		15 g		893 015 310
			green		15 g		893 016 310
			yellow		15 g		893 017 310
230 V AC	orange		15 g		893 011 313		
	red		15 g		893 012 313		
	clear		15 g		893 014 313		
	blue		15 g		893 015 313		
	green		15 g		893 016 313		
	yellow		15 g		893 017 313		

WLK

ORDER DATA - LIGHT SOURCE

Type	Type of accessory	Nominal voltage	Colour	Nominal current (A)	Weight	Output	Order number
LLL	LED steady beacon	12 V AC/DC	orange		15 g		893 001 404
			red		15 g		893 002 404
			clear		15 g		893 004 404
			blue		15 g		893 005 404
			green		15 g		893 006 404
			yellow		15 g		893 007 404
		24 V AC/DC	orange		15 g		893 001 405
			red		15 g		893 002 405
			clear		15 g		893 004 405
			blue		15 g		893 005 405
			green		15 g		893 006 405
			yellow		15 g		893 007 405
		48 V AC/DC	orange		15 g		893 001 408
			red		15 g		893 002 408
			clear		15 g		893 004 408
			blue		15 g		893 005 408
			green		15 g		893 006 408
			yellow		15 g		893 007 408
		110 V AC	orange		15 g		893 001 310
			red		15 g		893 002 310
			clear		15 g		893 004 310
			blue		15 g		893 005 310
			green		15 g		893 006 310
			yellow		15 g		893 007 310
		230 V AC	orange		15 g		893 001 313
			red		15 g		893 002 313
			clear		15 g		893 004 313
			blue		15 g		893 005 313
			green		15 g		893 006 313
			yellow		15 g		893 007 313



Steady