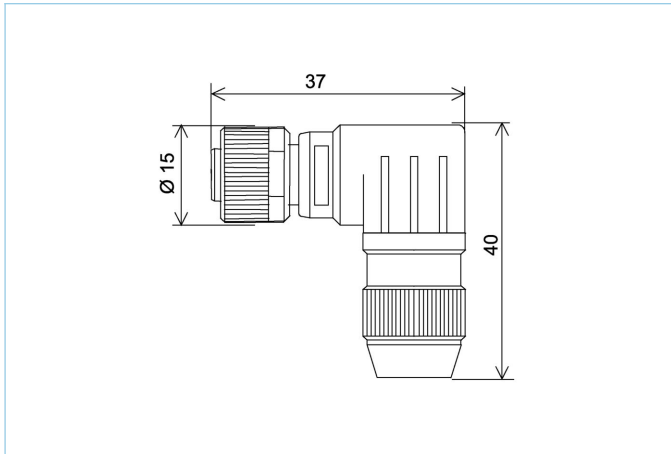
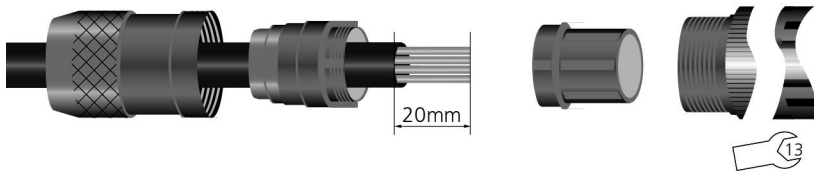


Field-wireable, M12, female, angled, 4 poles, insulation displacement contact, 32V 4A



Product data	
Item description	WWAKC4S
Item-No.	8019719
Customs tariff-No.	85366990
Step-File	WWAKC4S.stp
EAN	4047106055950
Technical data	
Connector	female, angled, M12
Number of pins	4
Coding	A
Rated voltage	32V
Current load per pin (at 40°C)	4A
Insulation resistance	$\geq 10^9 \Omega$
Resistance	$\leq 10 \text{ m}\Omega$
Ambient temperature product	-40°C...+85°C
Grip body material	Plastic, PA, BK
Connecting cross-section	max. 0.5 mm <sup>2</sup>
Cable outlet	4...5,1 mm
Connecting type	Insulation displacement contact
Standards	IEC 61076-2-101
Degree of protection (mounted)	IP67
Mechanical life-cycle	>100 mating cycles
Degree of pollution	3
Style	angled

**Manual**



**Classification**

eCl@ss 6.0	27260702
eCl@ss 7.0	27440102
eCl@ss 8.0	27440102
eCl@ss 9.0	27440102
ETIM 5.0	EC002635
ETIM 6.0	EC002635

**Link to product**

<https://www.escha.net/en/products/standard/field-wireable-connectors/8019719>