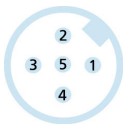
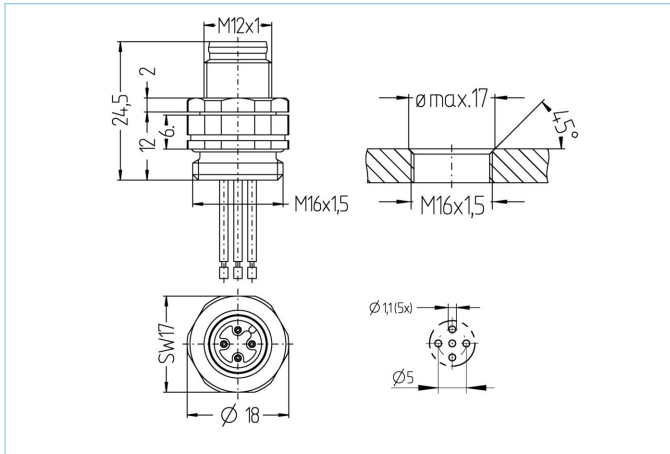


Receptacle, M12



Product data

| | |
|--------------------|------------------|
| Item description | EC-FSD5-0,5/16 |
| Item-No. | 8027471 |
| Customs tariff-No. | 85444290 |
| Step-File | EC-FSD5-m_16.stp |
| EAN | 4047106019549 |

Technical data

| | |
|--------------------------------|--|
| Connector | male, straight, M12 |
| Number of pins | 4+PE |
| Pin assignment | 1 BN, 2 WH, 3 BU, 4 BK, 5 GNYE |
| Coding | A |
| Rated voltage | 60V |
| Current load per pin (at 40°C) | 4A |
| Insulation resistance | ≥10 ⁹ Ω |
| Ambient temperature product | -30°C...+90°C |
| Contact material | Metal, CuZn, gold-plated |
| Contact-carrier material | Plastic, TPU, BK |
| Receptacle housing material | Metal, CuZn, nickel-plated |
| Material of external sealing | NBR |
| Mounting direction | Front wall-mounting (without fixing screw) |
| Wire length | 0.50m |
| Wire colors | BN, WH, BU, BK, GNYE |
| Connecting type | Wire contact |
| Wire cross-section | 4 x 0.34 mm ² |
| Wire insulation material | PVC |
| Adjustable fixing screw | Yes |
| Fastening thread | M16x1.5 |

| | |
|--------------------------------|--------------------------|
| Standards | IEC 61076-2-101 |
| Degree of protection (mounted) | IP65, IP67, IP68 |
| Mechanical life-cycle | >100 mating cycles |
| Degree of pollution | 3 |
| Wire cross-section | 4 x 0.34 mm ² |
| Wire cross-section PE | 1 x 0.5 mm ² |
| Style | straight |
| Classification | |
| eCl@ss 6.0 | 27279220 |
| eCl@ss 7.0 | 27440103 |
| eCl@ss 8.0 | 27440103 |
| eCl@ss 9.0 | 27440103 |
| ETIM 5.0 | EC002061 |
| ETIM 6.0 | EC002061 |