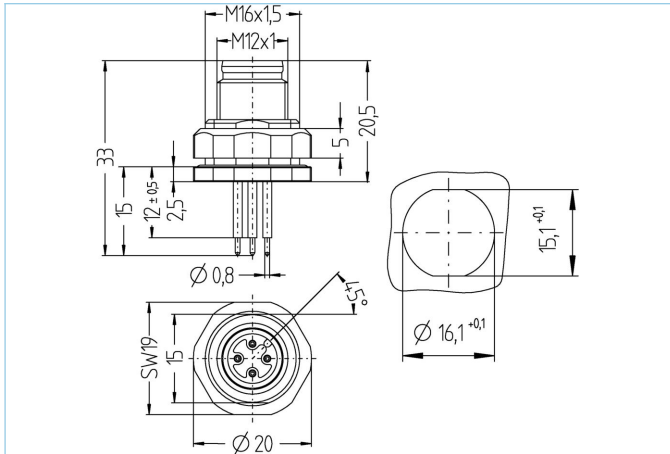


Receptacle, M12



Product data

| | |
|--------------------|---------------------|
| Item description | EC-FSFD4.5-P/16 |
| Item-No. | 8029499 |
| Customs tariff-No. | 85366990 |
| Packaging unit | 10 |
| Step-File | EC-FSFD4_5-P_16.stp |
| EAN | 4047106142322 |

Technical data

| | |
|--------------------------------|-----------------------------------------|
| Connector | male, straight, M12 |
| Number of pins | 5 |
| Pin assignment | 1 BN, 2 WH, 3 BU, 4 BK, 5 GY |
| Coding | A |
| Rated voltage | 60V |
| Current load per pin (at 40°C) | 4A |
| Insulation resistance | ≥10 ⁹ Ω |
| Ambient temperature product | -30°C...+90°C |
| Contact material | Metal, CuZn, gold-plated |
| Contact-carrier material | Plastic, TPU, BK |
| Receptacle housing material | Metal, CuZn, nickel-plated |
| Material of external sealing | NBR |
| Mounting direction | Back wall-mounting (incl. Fixing screw) |
| Connecting type | Print contact |
| Adjustable fixing screw | Yes |
| Fastening thread | M16x1.5 |
| Standards | IEC 61076-2-101 |
| Degree of protection (mounted) | IP65, IP67, IP68 |
| Mechanical life-cycle | >100 mating cycles |
| Degree of pollution | 3 |
| Style | straight |

Classification

| | |
|------------|----------|
| eCl@ss 6.0 | 27279220 |
| eCl@ss 7.0 | 27440103 |
| eCl@ss 8.0 | 27440103 |
| eCl@ss 9.0 | 27440103 |
| ETIM 5.0 | EC002061 |
| ETIM 6.0 | EC002061 |