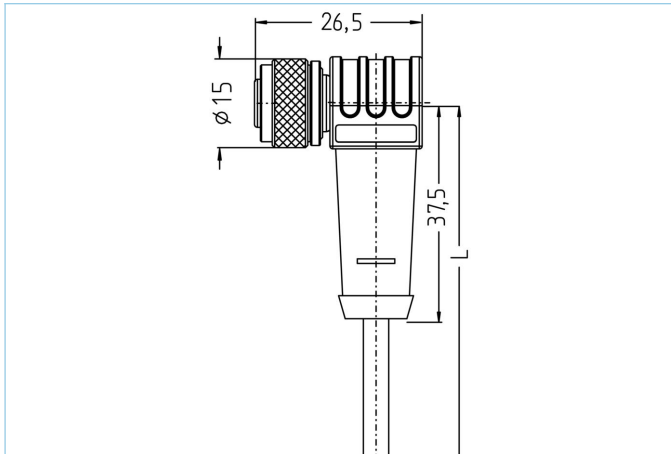


M12, female, angled, 5 poles, sensor-/actuator cable, high-temperature



| Product data                   |                              |
|--------------------------------|------------------------------|
| Item description               | HT-WWAK4.5-10/S2430          |
| Item-No.                       | 8039228                      |
| Length                         | 10m                          |
| Customs tariff-No.             | 85444290                     |
| Step-File                      | HT-WWAK4_5.stp               |
| EAN                            | 4047106001322                |
| Technical data                 |                              |
| Connector                      | female, angled, M12          |
| Number of pins                 | 5                            |
| Pin assignment                 | 1 BN, 2 WH, 3 BU, 4 BK, 5 GY |
| Coding                         | A                            |
| Rated voltage                  | 60V                          |
| Current load per pin (at 40°C) | 4A                           |
| Insulation resistance          | ≥10 <sup>9</sup> Ω           |
| Ambient temperature product    | -20°C...+150°C               |
| Contact material               | Metal, CuZn, gold-plated     |
| Contact-carrier material       | Plastic, PBT GF, BK          |
| Grip body material             | Plastic, PBT GF, BK          |
| Coupling nut material          | Metal, CuZn, nickel-plated   |
| Sealing (female) material      | FPM/FKM                      |
| Standards                      | IEC 61076-2-101              |
| Degree of protection (mounted) | IP65                         |
| Mechanical life-cycle          | >100 mating cycles           |
| Cable end assembly             | 50mm stripped                |
| Degree of pollution            | 3                            |
| Style                          | angled                       |

|              |                               |
|--------------|-------------------------------|
| <b>Cable</b> | <b>PTFE, S2430, high temp</b> |
|--------------|-------------------------------|

The thermal resistance of this high-temperature cable extends from -190°C to +260°C. Due to its fully fluorinated jacket and wire insulation, the cable is perfectly suited for applications in high-frequency cables, as control cable in critical temperature areas, and in the computer-, and aviation industry. In addition, it stands out through a very good chemical strength, as well as its ozone- and weather resistance.

|                           |   |
|---------------------------|---|
| Outer diameter of jacket  | 3.80 mm   |
| Cable-jacket material     | PTFE  |
| Jacket color              | WH, similar RAL9003   |
| Wire cross-section        | 5 x AWG22   |
| Wire insulation material  | PTFE  |
| Wire colors               | BN, WH, BU, BK, GY  |
| Wire structure            | 7 x 0.254 mm  |
| Bending radius (fixed)    | 5 x Ø-cable   |
| Bending radius (repeated) | 10 x Ø-cable  |
| Temperature range (fixed) | -190°C...+260°C   |
| Rated voltage cable       | ≤250 V  |
| Special features          | seawater resistant, LABS free, RoHs compliant, ozone resistant, UV resistant, hydrolysis proof, flexibility at low temperature, non-flammable, low emission of smoke, excellent chemicals resistance, flexible at high temperatures |

|                       |
|-----------------------|
| <b>Classification</b> |
|-----------------------|

|            |          |
|------------|----------|
| eCl@ss 6.0 | 27279218 |
| eCl@ss 7.0 | 27279218 |
| eCl@ss 8.0 | 27279218 |
| eCl@ss 9.0 | 27060311 |
| ETIM 5.0   | EC001855 |
| ETIM 6.0   | EC001855 |

|                    |
|--------------------|
| <b>Accessories</b> |
|--------------------|

|  |
|--|
| Mounting-set, M12<br><a href="https://www.escha.net/en/products/standard/accessories-for-connectivity/8047664">https://www.escha.net/en/products/standard/accessories-for-connectivity/8047664</a>   |
| Torque-wrench set<br><a href="https://www.escha.net/en/products/standard/accessories-for-connectivity/8055431">https://www.escha.net/en/products/standard/accessories-for-connectivity/8055431</a>   |
| Marking rings Ø 9mm<br><a href="https://www.escha.net/en/products/standard/accessories-for-connectivity?p=1&amp;o=3&amp;n=15&amp;f=809">https://www.escha.net/en/products/standard/accessories-for-connectivity?p=1&amp;o=3&amp;n=15&amp;f=809</a> |
| Cable Stripping Tool<br><a href="https://www.escha.net/en/products/standard/accessories-for-connectivity/8066215">https://www.escha.net/en/products/standard/accessories-for-connectivity/8066215</a>  |
| Cable Stripping Tool<br><a href="https://www.escha.net/en/products/standard/accessories-for-connectivity/8066216">https://www.escha.net/en/products/standard/accessories-for-connectivity/8066216</a>  |

|                        |
|------------------------|
| <b>Link to product</b> |
|------------------------|

|   |
|---|
| <a href="https://www.escha.net/en/products/standard/sensoractuator-connectors/8039228">https://www.escha.net/en/products/standard/sensoractuator-connectors/8039228</a> |
|---|