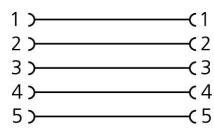
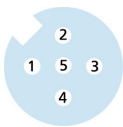
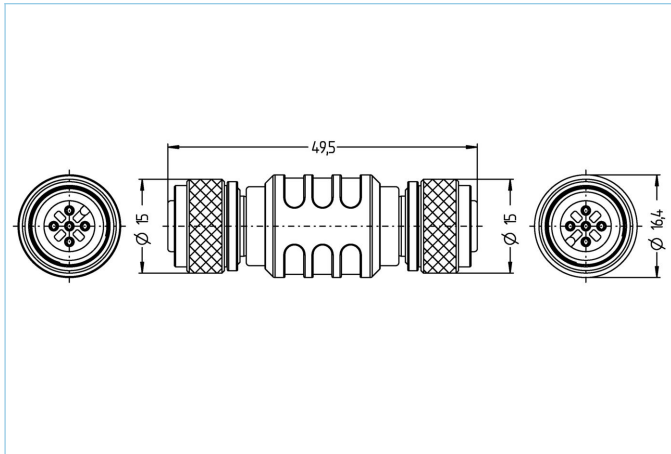


## Adapter, M12, female, straight, 5 poles, M12, female, straight, 5 poles



### Product data

Item description	WAK4.5-WAK4.5
Item-No.	8041351
Customs tariff-No.	85366990
Step-File	WAK4_5-WAK4_5.stp
EAN	4047106002190

### Technical data

	A-side	B-side
Connector	female, M12	female, M12
Number of pins	5	5
Coding of	A	A
Rated voltage	60V	60V
Current load (at 40°C)	4A	4A
Insulation resistance	$\geq 10^9 \Omega$	$\geq 10^9 \Omega$
Ambient temperature product	-30°C...+90°C	-30°C...+90°C
Contact material	Metal, CuZn, gold-plated	Metal, CuZn, gold-plated
Contact-carrier material	Plastic, TPU, BK	Plastic, TPU, BK
Grip body material	Plastic, TPU, BU	Plastic, TPU, BU
Coupling nut material	Metal, CuZn, nickel-plated	Metal, CuZn, nickel-plated
Sealing (female) material	FPM/FKM	FPM/FKM
Sealing (female) material B-side	FPM/FKM	FPM/FKM
Standards	IEC_61076-2-101/-104	IEC 61076-2-101/-104
Degree of protection (mounted)	IP65, IP67, IP68	IP65, IP67, IP68
Mechanical life-cycle	>100 mating cycles	>100 mating cycles
Degree of pollution	3	3

#### Classification

eCl@ss 6.0	27279201
eCl@ss 7.0	27279201
eCl@ss 8.0	27279201
eCl@ss 9.0	27440106
ETIM 5.0	EC002062
ETIM 6.0	EC002925

#### Link to product

<https://www.escha.net/en/products/standard/t-splitters-y-splitters/8041351>