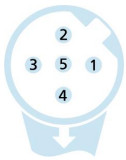
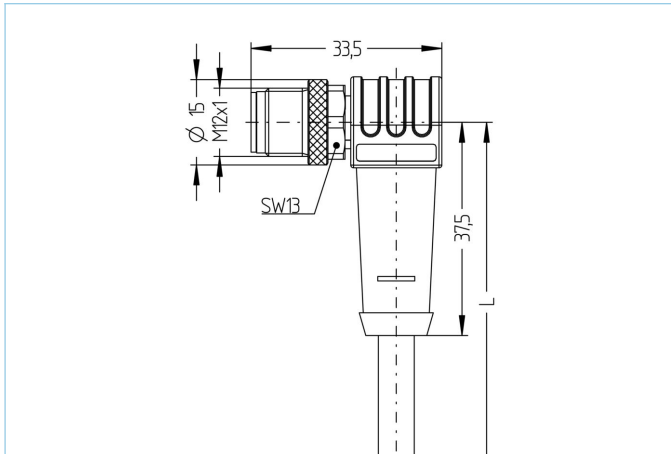


M12, male, angled, 4 poles, B-coded, shielded, Profibus



| Product data | |
|--------------------------------|----------------------------|
| Item description | PB-WWASSW2.012-10/S1800 |
| Item-No. | 8043878 |
| Length | 10m |
| Customs tariff-No. | 85444290 |
| Step-File | PB-WWASSW2-m.stp |
| EAN | 4047106003203 |
| Technical data | |
| Connector | male, angled, M12 |
| Number of pins | 4 |
| Pin assignment | 1 n.c., 2 GN, 3 n.c., 4 RD |
| Coding | B |
| Rated voltage | 60V |
| Current load per pin (at 40°C) | 4A |
| Insulation resistance | ≥10 ⁹ Ω |
| Resistance | ≤ 5mΩ |
| Ambient temperature product | -30°C...+90°C |
| Contact material | Metal, CuZn, gold-plated |
| Contact-carrier material | Plastic, TPU, VT |
| Grip body material | Plastic, TPU, BK |
| Coupling nut material | Metal, CuZn, nickel-plated |
| Shielding | with shielding |
| Standards | IEC 61076-2-101 |
| Degree of protection (mounted) | IP65, IP67, IP68 |
| Mechanical life-cycle | >100 mating cycles |
| Cable end assembly | open cable end |
| Degree of pollution | 3 |
| Style | angled |

| | |
|--------------|---------------------------------|
| Cable | PUR, UL, S1800, Profibus |
|--------------|---------------------------------|

UL- and CSA-listed shielded PUR-cable for automation technology (control of sensors and actuators). Suited for common variants of PROFIBUS DP and PROFIBUS PA. Setup and materials used allow for applications under harsh environment conditions (abrasion, bending, vibrations etc.). Drag-chain application is possible. (>1million bending cycles).

| | |
|--------------------------------|--|
| Outer diameter of jacket | 7.60 mm |
| Cable-jacket material | PUR |
| Jacket color | VT similar RAL4001 |
| Wire cross-section | 1 x 2 x 0.34 mm ² |
| Wire insulation material | PE |
| Wire colors | RD, GN |
| Wire structure | 19 x 0.15 mm |
| Bending radius (fixed) | 5 x Ø-cable |
| Bending radius (repeated) | 15 x Ø-cable |
| Temperature range (repeated) | -25°C...+80°C |
| Temperature range (fixed) | -50°C...+80°C |
| Temperature range (drag chain) | -25°C...+60°C |
| Drag chain-application | >1Mio. cycles |
| Shielding | Yes |
| Halogen-free | Yes |
| Rated voltage cable | 300V |
| Special features | flame retardant, seawater resistant, recyclable, LABS free, RoHs compliant, acid- and alkali resistant, ozone resistant, UV resistant, hydrolysis proof, drag chain-adapted, halogen free, oil resistant, high flexibility, microbes resistant |

| | |
|-----------------------|--|
| Classification | |
|-----------------------|--|

| | |
|------------|----------|
| eCl@ss 6.0 | 27279218 |
| eCl@ss 7.0 | 27279218 |
| eCl@ss 8.0 | 27279218 |
| eCl@ss 9.0 | 27060311 |
| ETIM 5.0 | EC001855 |
| ETIM 6.0 | EC001855 |

| |
|--------------------|
| Accessories |
|--------------------|

Mounting-set, M12
<https://www.escha.net/en/products/standard/accessories-for-connectivity/8047664>

Torque-wrench set
<https://www.escha.net/en/products/standard/accessories-for-connectivity/8055431>

Marking rings Ø 9mm
<https://www.escha.net/en/products/standard/accessories-for-connectivity/?p=1&o=3&n=15&f=809>

Cable Stripping Tool
<https://www.escha.net/en/products/standard/accessories-for-connectivity/8066215>

Cable Stripping Tool
<https://www.escha.net/en/products/standard/accessories-for-connectivity/8066216>

| |
|------------------------|
| Link to product |
|------------------------|

<https://www.escha.net/en/products/standard/data-connectors/8043878>