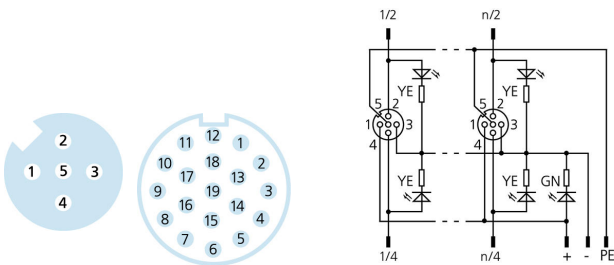
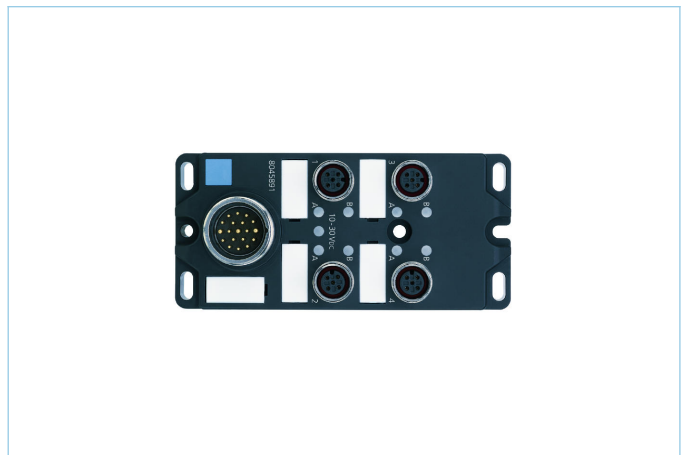
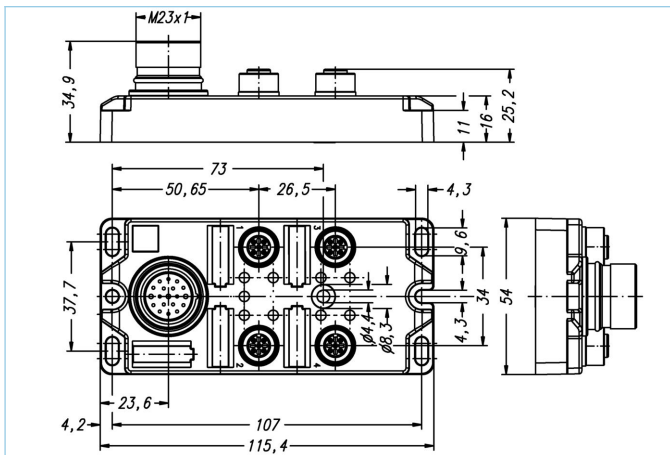


I/O-junctions passive, 4 ports, top contact, M12, female, 4+PE, M23, male, 19 poles



**Product data**

Item description	4I/OM12-5P3T
Item-No.	8045895
Customs tariff-No.	85366990
Step-File	4I_OM12-5P3T.stp
EAN	4047106004484

**Technical data**

I/O-junction	4-way, with connecting plug, M23
I/O-slot	female, M12
Number of pins	4+PE
Coding	A
Rated voltage	30V
Current load per pin (at 40°C)	2A
Total current load	12A
Insulation resistance	$\geq 10^9 \Omega$
Resistance	$\leq 5 \text{ m}\Omega$
Ambient temperature product	-30°C...+90°C
Number of LEDs	9
Number of I/O-slots	4
Circuit logic	pnp
Signal status-indicator	LED YE
Operating voltage-indicator	LED GN
Contact material	Metal, CuZn, gold-plated
Contact-carrier material	Plastic, PA, BK
Sealing (female) material	FPM/FKM
Housing material	Plastic, PA, BK
Connecting type	Top

Thread insert material	Metal, CuZn
Standards	IEC 61076-2-101
Degree of protection (mounted)	IP65, IP67
Mechanical life-cycle	>100 mating cycles
Connecting plug	M23, 19 poles
Sealing material, connecting-plug	Plastic, FPM/FKM
Receptacle housing material, connecting-plug	Metal, CuZn, nickel-plated
Contact material, connecting-plug	Metal, CuZn, gold-plated
Contact-carrier material, connecting-plug	Plastic, PA, BK
Mechanical life-cycle, connecting-plug	>100 mating cycles
Number of pins, connecting-plug	19
Degree of protection, connecting-plug (mounted)	IP65, IP67
Degree of pollution	3

#### Allocation chart

I/O	1		2		3		4		all (+)	all (-)	all (FE)
Pin	2	4	2	4	2	4	2	4	1	3	5
M23	7	15	4	5	8	16	14	3	19	6	12
Cable (19.001) Accessories	GYPK	WH	RDBU	GN	WHGN	YE	BNGN	GY	BN	BU	GNYE

#### Classification

eCl@ss 6.0	27279219
eCl@ss 7.0	27279219
eCl@ss 8.0	27279219
eCl@ss 9.0	27440108
ETIM 5.0	EC002585
ETIM 6.0	EC002585

#### Accessories

Screw plug, M12

<https://www.escha.net/en/products/standard/accessories-for-connectivity/8000004>

Labels, I/O-junction passive, I/O-junction active

<https://www.escha.net/en/products/standard/accessories-for-connectivity/8015002>

Single-ended cordset, M23

<https://www.escha.net/en/products/standard/sensoractuator-connectors/8026037>

Single-ended cordset, M23

<https://www.escha.net/en/products/standard/sensoractuator-connectors/8026047>

Field-wireable connector, M23, Soldering contact

<https://www.escha.net/en/products/standard/field-wireable-connectors/8013696>

Field-wireable connector, M23, Soldering contact

<https://www.escha.net/en/products/standard/field-wireable-connectors/8017151/m23-female-angled-field-wireable-19-poles-soldering-contact-125v>

#### Link to product

<https://www.escha.net/en/products/standard/io-junctions/8045895>