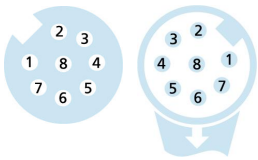
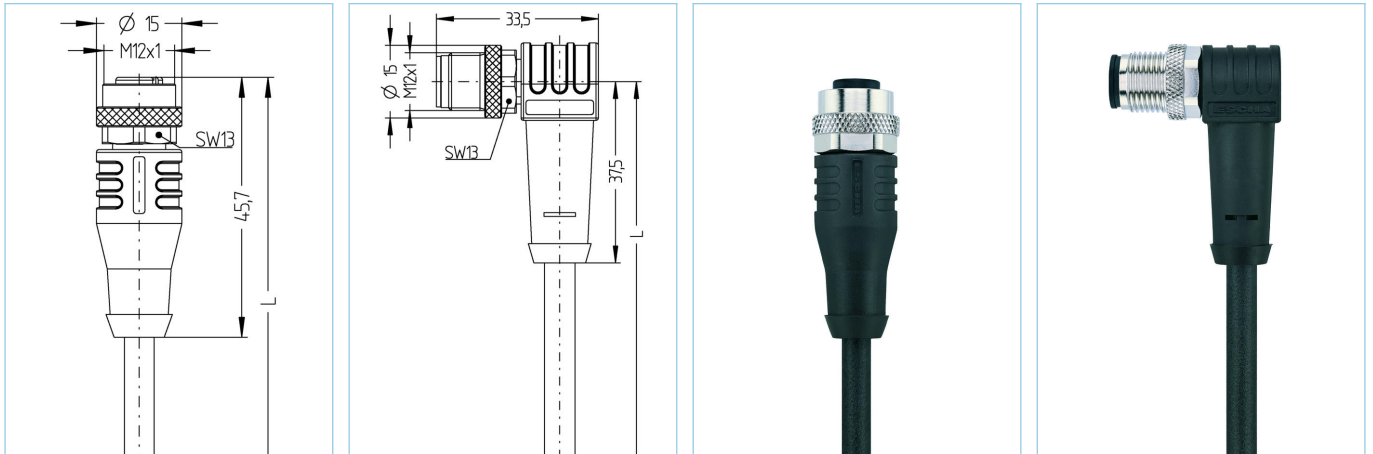


M12, female, straight, 8 poles, M12, male, angled, 8 poles, shielded, sensor-/actuator cable



| Product data                   |  |  |
|--------------------------------|--|--|
| Item description               | AL-WAKS8-5-AL-WWASS8/S370                      |  |
| Item-No.                       | 8047019  |  |
| Length                         | 5m   |  |
| Customs tariff-No.             | 85444290                                       |  |
| Step-File                      | AL-WAKS8_AL-WWASS8.stp                         |  |
| EAN                            | 4047106006723                                  |  |
| Label-carrier                  | 2 pieces                                       |  |
| Technical data                 | A-side   | B-side   |
| Connector                      | female, straight, M12                          | male, angled, M12                              |
| Number of pins                 | 8  | 8  |
| Pin assignment                 | 1 WH, 2 BN, 3 GN, 4 YE, 5 GY, 6 PK, 7 BU, 8 RD | 1 WH, 2 BN, 3 GN, 4 YE, 5 GY, 6 PK, 7 BU, 8 RD |
| Coding of                      | A  | A  |
| Rated voltage                  | 30V  | 30V  |
| Current load (at 40°C)         | 2A   | 2A   |
| Insulation resistance          | $\geq 10^9 \Omega$                             | $\geq 10^9 \Omega$                             |
| Resistance                     | $\leq 5 m\Omega$                               | $\leq 5 m\Omega$                               |
| Ambient temperature product    | -30°C...+90°C                                  | -30°C...+90°C                                  |
| Contact material               | Metal, CuZn, gold-plated                       | Metal, CuZn, gold-plated                       |
| Contact-carrier material       | Plastic, TPU, BK                               | Plastic, TPU, BK                               |
| Grip body material             | Plastic, TPU, BK                               | Plastic, TPU, BK                               |
| Coupling nut material          | Metal, CuZn, nickel-plated                     | Metal, CuZn, nickel-plated                     |
| Sealing (female) material      | FPM/FKM  |  |
| Shielding                      | with shielding                                 | with shielding                                 |
| Standards                      | IEC 61076-2-101                                | IEC 61076-2-101                                |
| Degree of protection (mounted) | IP65, IP67, IP68                               | IP65, IP67, IP68                               |
| Mechanical life-cycle          | >100 mating cycles                             | >100 mating cycles                             |
| Degree of pollution            | 3  | 3  |

|              |                      |
|--------------|----------------------|
| <b>Cable</b> | <b>PUR, UL, S370</b> |
|--------------|----------------------|

Flexible, silicone- and halogen-free control cable with high mechanical strength. The cable is chemicals, hydrolysis-, and microbes-resistant. The drag-chain application is possible at a bending radius of minimum  $10 \times d$ . Due to its weld-field immunity, the cable is very well suited for the flexible application in robotics, machine-tool, and metal-cutting production. The cables meet the UL and CSA (UL10493/20549; cULus) requirements. Very good EMC-features with shielded versions.

|                                |  |
|--------------------------------|--|
| Outer diameter of jacket       | 6.30 mm  |
| Cable-jacket material          | PUR  |
| Jacket color                   | BK, similar RAL9005  |
| Wire cross-section             | 8 x 0.25 mm <sup>2</sup>   |
| Wire insulation material       | PP   |
| Wire colors                    | WH, BN, GN, YE, GY, PK, BU, RD   |
| Wire structure                 | 32 x 0.10 mm   |
| Bending radius (fixed)         | 5 x Ø-cable  |
| Bending radius (repeated)      | 12 x Ø-cable   |
| Temperature range (repeated)   | -30°C...+90°C  |
| Temperature range (fixed)      | -40°C...+90°C  |
| Temperature range (drag chain) | -25°C...+60°C  |
| Drag chain-application         | ≥2 Mio. cycles   |
| Shielding                      | Yes  |
| Halogen-free                   | Yes  |
| Torsion                        | +/-180°/m, ≥ 0.5 Mio. cycles   |
| Rated voltage cable            | ≤300 V   |
| Special features               | flame retardant, seawater resistant, recyclable, LABS free, RoHs compliant, acid- and alkali resistant, ozone resistant, UV resistant, hydrolysis proof, drag chain-adapted, torsion resistant, welding sparks resistant, halogen free, silicone free, oil resistant |

|                       |  |
|-----------------------|--|
| <b>Classification</b> |  |
|-----------------------|--|

|            |          |
|------------|----------|
| eCl@ss 6.0 | 27279218 |
| eCl@ss 7.0 | 27279218 |
| eCl@ss 8.0 | 27279218 |
| eCl@ss 9.0 | 27060311 |
| ETIM 5.0   | EC001855 |
| ETIM 6.0   | EC001855 |

|                    |  |
|--------------------|--|
| <b>Accessories</b> |  |
|--------------------|--|

|  |  |
|--|--|
| Mounting-set, M12<br><a href="https://www.escha.net/en/products/standard/accessories-for-connectivity/8047664">https://www.escha.net/en/products/standard/accessories-for-connectivity/8047664</a>   |  |
| Torque-wrench set<br><a href="https://www.escha.net/en/products/standard/accessories-for-connectivity/8055431">https://www.escha.net/en/products/standard/accessories-for-connectivity/8055431</a>   |  |
| Marking rings Ø 9mm<br><a href="https://www.escha.net/en/products/standard/accessories-for-connectivity?p=1&amp;o=3&amp;n=15&amp;f=809">https://www.escha.net/en/products/standard/accessories-for-connectivity?p=1&amp;o=3&amp;n=15&amp;f=809</a> |  |

|                        |  |
|------------------------|--|
| <b>Link to product</b> |  |
|------------------------|--|

|   |  |
|---|--|
| <a href="https://www.escha.net/en/products/standard/sensoractuator-connectors/8047019">https://www.escha.net/en/products/standard/sensoractuator-connectors/8047019</a> |  |
|---|--|