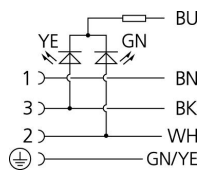
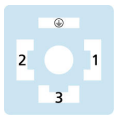
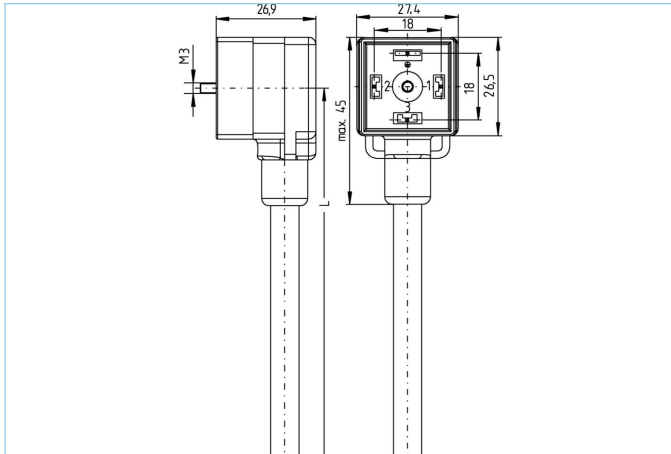


Valve connector, housing style A, 3+PE, wire contact, sensor-/actuator cable



Product data

| | |
|--------------------|-----------------|
| Item description | VA41-24.2-5/P00 |
| Item-No. | 8049310 |
| Length | 5m |
| Customs tariff-No. | 85444290 |
| Step-File | VA41.stp |
| EAN | 4047106009007 |

Technical data

| | |
|--------------------------------|-------------------------------|
| Connector | female, angled, Valve A |
| Number of pins | 3+PE wire |
| Pin assignment | 1 BN, 2 WH, 3 BK, PE: GNYE |
| Rated voltage | 30V _{DC} |
| Current load per pin (at 40°C) | 10A |
| Insulation resistance | ≥10 ⁸ Ω |
| Ambient temperature product | -30°C...+90°C |
| Signal status-indicator | LED YE/GN |
| Contact material | Metal, CuSn, silver-plated |
| Contact-carrier material | Plastic, PA, BK |
| Grip body material | Plastic, TPU, BK, translucent |
| Sealing (female) material | Plastic, TPU |
| Protection circuit | without |
| Fixing screw | Metal, CuZn, nickel-plated |
| Housing style | A |
| Standards | DIN EN 175301-803 |
| Degree of protection (mounted) | IP65, IP67, IP68 |
| Mechanical life-cycle | >100 mating cycles |
| Degree of pollution | 3 |
| Style | angled |

| | |
|--------------|---------------------|
| Cable | PVC, P00, GY |
|--------------|---------------------|

PVC-cable for measurement and control-, and sensor technology. Suitable for applications in dry areas on packaging machines, assembly- and conveyor technology. High flexibility with unstressed movement (conditional drag-chain application possible). Predestined for applications in food- and beverage industry.

| | |
|------------------------------|--|
| Outer diameter of jacket | 7.3 +/- 0.2 mm |
| Cable-jacket material | PVC |
| Jacket color | GY, similar RAL7040 |
| Wire cross-section | 5 x 0.75 mm ² |
| Wire insulation material | PVC |
| Wire colors | BN, WH, BU, BK, GNYE |
| Wire structure | 24 x 0,20 mm |
| Bending radius (fixed) | 5xØ-cable |
| Bending radius (repeated) | 10 x Ø-cable |
| Temperature range (repeated) | 0°C...+80°C |
| Temperature range (fixed) | -25°C...+80°C |
| Rated voltage cable | 240V |
| Special features | seawater resistant, recyclable, LABS free, RoHs compliant, acid- and alkali resistant, ozone resistant, UV resistant |

| | |
|-----------------------|--|
| Classification | |
|-----------------------|--|

| | |
|------------|----------|
| eCl@ss 6.0 | 27279218 |
| eCl@ss 7.0 | 27279218 |
| eCl@ss 8.0 | 27279218 |
| eCl@ss 9.0 | 27060312 |
| ETIM 5.0 | EC001855 |
| ETIM 6.0 | EC001855 |

| |
|--------------------|
| Accessories |
|--------------------|

Labels, Valve connector
<https://www.escha.net/en/products/standard/accessories-for-connectivity/8047110>

Fixing screw
<https://www.escha.net/en/products/standard/accessories-for-connectivity/8060907>

| |
|------------------------|
| Link to product |
|------------------------|

<https://www.escha.net/en/products/standard/valve-connectors/8049310>