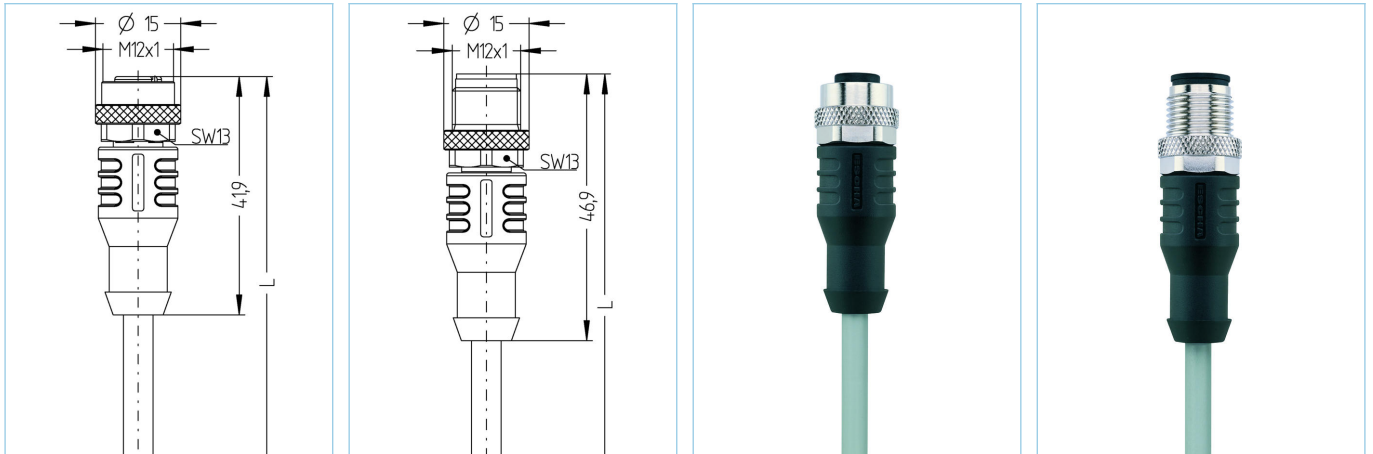


M12, female, straight, 4+PE, M12, male, straight, 4+PE, sensor/actuator cable



| Product data       |                       |
|--------------------|-----------------------|
| Item description   | AL-WAK5-5-AL-WAS5/P00 |
| Item-No.           | 8051497               |
| Length             | 5m                    |
| Customs tariff-No. | 85444290              |
| Step-File          | AL-WAK5_AL-WAS5.stp   |
| EAN                | 4047106021962         |
| Label-carrier      | 2 pieces              |

| Technical data                 | A-side                         | B-side                         |
|--------------------------------|--------------------------------|--------------------------------|
| Connector                      | female, straight, M12          | male, straight, M12            |
| Number of pins                 | 4+PE                           | 4+PE                           |
| Pin assignment                 | 1 BN, 2 WH, 3 BU, 4 BK, 5 GNYE | 1 BN, 2 WH, 3 BU, 4 BK, 5 GNYE |
| Coding of                      | A                              | A                              |
| Rated voltage                  | 60V                            | 60V                            |
| Current load (at 40°C)         | 4A                             | 4A                             |
| Insulation resistance          | $\geq 10^9 \Omega$             | $\geq 10^9 \Omega$             |
| Resistance                     | $\leq 5 m\Omega$               | $\leq 5 m\Omega$               |
| Ambient temperature product    | -30°C...+90°C                  | -30°C...+90°C                  |
| Contact material               | Metal, CuSn, gold-plated       | Metal, CuSn, gold-plated       |
| Contact-carrier material       | Plastic, TPU, BK               | Plastic, TPU, BK               |
| Grip body material             | Plastic, TPU, BK               | Plastic, TPU, BK               |
| Coupling nut material          | Metal, CuZn, nickel-plated     | Metal, CuZn, nickel-plated     |
| Sealing (female) material      | FPM/FKM                        |                                |
| Standards                      | IEC 61076-2-101                | IEC 61076-2-101                |
| Degree of protection (mounted) | IP65, IP67, IP68               | IP65, IP67, IP68               |
| Mechanical life-cycle          | >100 mating cycles             | >100 mating cycles             |
| Degree of pollution            | 3                              | 3                              |

|              |                     |
|--------------|---------------------|
| <b>Cable</b> | <b>PVC, P00, GY</b> |
|--------------|---------------------|

PVC-cable for measurement and control-, and sensor technology. Suitable for applications in dry areas on packaging machines, assembly- and conveyor technology. High flexibility with unstressed movement (conditional drag-chain application possible). Predestined for applications in food- and beverage industry.

|                              |  |
|------------------------------|--|
| Outer diameter of jacket     | 4.90 mm  |
| Cable-jacket material        | PVC  |
| Jacket color                 | GY, similar RAL7040  |
| Wire cross-section           | 4+1 x 0.34mm <sup>2</sup>  |
| Wire insulation material     | PVC  |
| Wire colors                  | BN, WH, BU, BK, GNYE   |
| Wire structure               | 19 x 0.15 mm   |
| Bending radius (fixed)       | 5 x Ø-cable  |
| Bending radius (repeated)    | 10 x Ø-cable   |
| Temperature range (repeated) | 0°C...+80°C  |
| Temperature range (fixed)    | -25°C...+80°C  |
| Rated voltage cable          | ≤300 V   |
| Special features             | seawater resistant, recyclable, LABS free, RoHs compliant, acid- and alkali resistant, ozone resistant, UV resistant |

|                       |  |
|-----------------------|--|
| <b>Classification</b> |  |
|-----------------------|--|

|            |          |
|------------|----------|
| eCl@ss 6.0 | 27279218 |
| eCl@ss 7.0 | 27279218 |
| eCl@ss 8.0 | 27279218 |
| eCl@ss 9.0 | 27060311 |
| ETIM 5.0   | EC001855 |
| ETIM 6.0   | EC001855 |

|                    |
|--------------------|
| <b>Accessories</b> |
|--------------------|

Mounting-set, M12  
<https://www.escha.net/en/products/standard/accessories-for-connectivity/8047664>

Torque-wrench set  
<https://www.escha.net/en/products/standard/accessories-for-connectivity/8055431>

Marking rings Ø 9mm  
<https://www.escha.net/en/products/standard/accessories-for-connectivity/?p=1&o=3&n=15&f=809>

|                        |
|------------------------|
| <b>Link to product</b> |
|------------------------|

<https://www.escha.net/en/products/standard/sensoractuator-connectors/8051497>