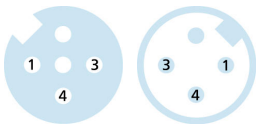
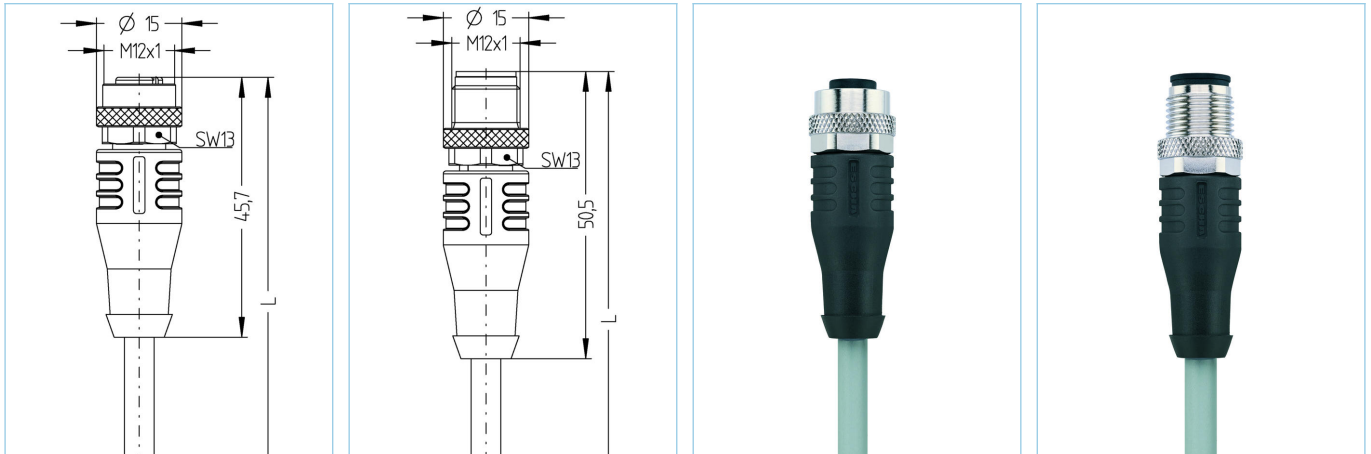


M12, female, straight, 3 poles, M12, male, straight, 3 poles, shielded, sensor-/actuator cable



| Product data                   |                            |                            |
|--------------------------------|----------------------------|----------------------------|
| Item description               | AL-WAKS3-1-AL-WASS3/P00    |                            |
| Item-No.                       | 8051582                    |                            |
| Length                         | 1m                         |                            |
| Customs tariff-No.             | 85444290                   |                            |
| Step-File                      | AL-WAKS3_AL-WASS3.stp      |                            |
| EAN                            | 4047106027315              |                            |
| Label-carrier                  | 2 pieces                   |                            |
| Technical data                 | A-side                     | B-side                     |
| Connector                      | female, straight, M12      | male, straight, M12        |
| Number of pins                 | 3                          | 3                          |
| Pin assignment                 | 1 BN, 3 BU, 4 BK           | 1 BN, 3 BU, 4 BK           |
| Coding of                      | A                          | A                          |
| Rated voltage                  | 250V                       | 250V                       |
| Current load (at 40°C)         | 4A                         | 4A                         |
| Insulation resistance          | $\geq 10^9 \Omega$         | $\geq 10^9 \Omega$         |
| Resistance                     | $\leq 5 m\Omega$           | $\leq 5 m\Omega$           |
| Ambient temperature product    | -30°C...+90°C              | -30°C...+90°C              |
| Contact material               | Metal, CuSn, gold-plated   | Metal, CuSn, gold-plated   |
| Contact-carrier material       | Plastic, TPU, BK           | Plastic, TPU, BK           |
| Grip body material             | Plastic, TPU, BK           | Plastic, TPU, BK           |
| Coupling nut material          | Metal, CuZn, nickel-plated | Metal, CuZn, nickel-plated |
| Sealing (female) material      | FPM/FKM                    |                            |
| Shielding                      | with shielding             | with shielding             |
| Standards                      | IEC 61076-2-101            | IEC 61076-2-101            |
| Degree of protection (mounted) | IP65, IP67, IP68           | IP65, IP67, IP68           |
| Mechanical life-cycle          | >100 mating cycles         | >100 mating cycles         |
| Degree of pollution            | 3                          | 3                          |

|              |                     |
|--------------|---------------------|
| <b>Cable</b> | <b>PVC, P00, GY</b> |
|--------------|---------------------|

PVC-cable for measurement and control-, and sensor technology. Suitable for applications in dry areas on packaging machines, assembly- and conveyor technology. High flexibility with unstressed movement (conditional drag-chain application possible). Predestined for applications in food- and beverage industry. Very good EMC-features with shielded versions.

|                              |  |
|------------------------------|--|
| Outer diameter of jacket     | 4.80 mm  |
| Cable-jacket material        | PVC  |
| Jacket color                 | GY, similar RAL7040  |
| Wire cross-section           | 3 x 0.34 mm <sup>2</sup>   |
| Wire insulation material     | PVC  |
| Wire colors                  | BN, BU, BK   |
| Wire structure               | 19 x 0.15 mm   |
| Bending radius (fixed)       | 5 x Ø-cable  |
| Bending radius (repeated)    | 10 x Ø-cable   |
| Temperature range (repeated) | 0°C...+80°C  |
| Temperature range (fixed)    | -25°C...+80°C  |
| Shielding                    | Yes  |
| Rated voltage cable          | ≤300 V   |
| Special features             | seawater resistant, recyclable, LABS free, RoHs compliant, acid- and alkali resistant, ozone resistant, UV resistant, hydrolysis proof |

|                       |  |
|-----------------------|--|
| <b>Classification</b> |  |
|-----------------------|--|

|            |          |
|------------|----------|
| eCl@ss 6.0 | 27279218 |
| eCl@ss 7.0 | 27279218 |
| eCl@ss 8.0 | 27279218 |
| eCl@ss 9.0 | 27060311 |
| ETIM 5.0   | EC001855 |
| ETIM 6.0   | EC001855 |

|                    |
|--------------------|
| <b>Accessories</b> |
|--------------------|

Mounting-set, M12  
<https://www.escha.net/en/products/standard/accessories-for-connectivity/8047664>

Torque-wrench set  
<https://www.escha.net/en/products/standard/accessories-for-connectivity/8055431>

Marking rings Ø 9mm  
<https://www.escha.net/en/products/standard/accessories-for-connectivity/?p=1&o=3&n=15&f=809>

|                        |
|------------------------|
| <b>Link to product</b> |
|------------------------|

<https://www.escha.net/en/products/standard/sensoractuator-connectors/8051582>