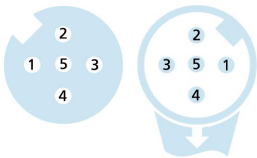
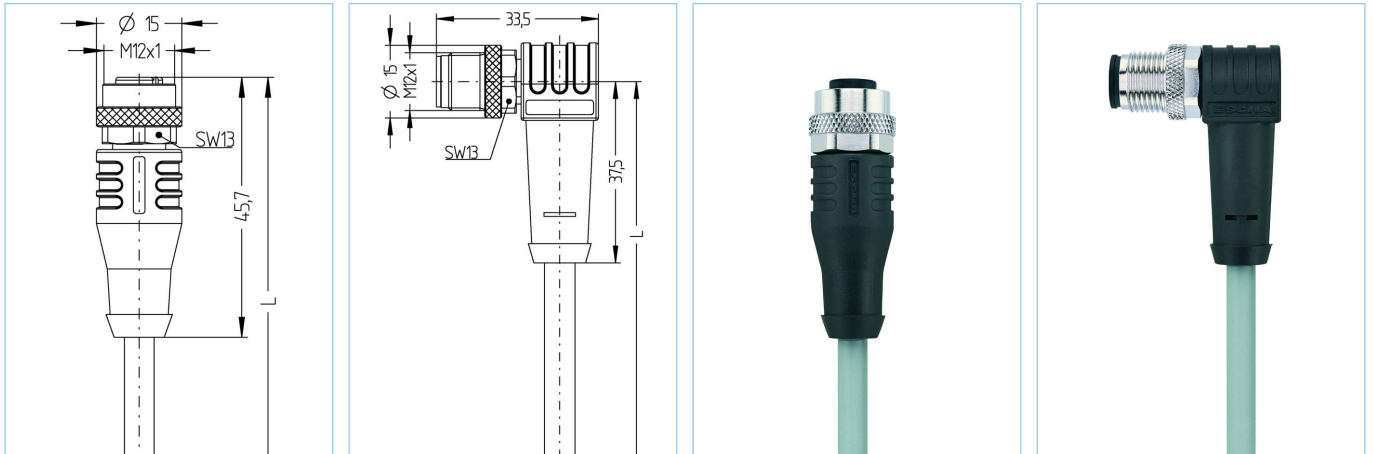


M12, female, straight, 5 poles, M12, male, angled, 5 poles, shielded, sensor-/actuator cable



| Product data       |                              |
|--------------------|------------------------------|
| Item description   | AL-WAKS4.5-1-AL-WWASS4.5/P01 |
| Item-No.           | 8051820                      |
| Length             | 1m                           |
| Customs tariff-No. | 85444290                     |
| Step-File          | AL-WAKS4_5_AL-WWASS4_5.stp   |
| EAN                | 4047106085209                |
| Label-carrier      | 2 pieces                     |

| Technical data                 | A-side                       | B-side                       |
|--------------------------------|------------------------------|------------------------------|
| Connector                      | female, straight, M12        | male, angled, M12            |
| Number of pins                 | 5                            | 5                            |
| Pin assignment                 | 1 BN, 2 WH, 3 BU, 4 BK, 5 GY | 1 BN, 2 WH, 3 BU, 4 BK, 5 GY |
| Coding of                      | A                            | A                            |
| Rated voltage                  | 60V                          | 60V                          |
| Current load (at 40°C)         | 4A                           | 4A                           |
| Insulation resistance          | $\geq 10^9 \Omega$           | $\geq 10^9 \Omega$           |
| Resistance                     | $\leq 5 m\Omega$             | $\leq 5 m\Omega$             |
| Ambient temperature product    | -30°C...+90°C                | -30°C...+90°C                |
| Contact material               | Metal, CuSn, gold-plated     | Metal, CuSn, gold-plated     |
| Contact-carrier material       | Plastic, TPU, BK             | Plastic, TPU, BK             |
| Grip body material             | Plastic, TPU, BK             | Plastic, TPU, BK             |
| Coupling nut material          | Metal, CuZn, nickel-plated   | Metal, CuZn, nickel-plated   |
| Sealing (female) material      | FPM/FKM                      |                              |
| Shielding                      | with shielding               | with shielding               |
| Standards                      | IEC 61076-2-101              | IEC 61076-2-101              |
| Degree of protection (mounted) | IP65, IP67, IP68             | IP65, IP67, IP68             |
| Mechanical life-cycle          | >100 mating cycles           | >100 mating cycles           |
| Degree of pollution            | 3                            | 3                            |

|              |                         |
|--------------|-------------------------|
| <b>Cable</b> | <b>PVC, UL, P01, GY</b> |
|--------------|-------------------------|

PVC-cable for measurement and control-, and sensor technology. Suitable for applications in dry areas on packaging machines, assembly- and conveyor technology. High flexibility with unstressed movement (conditional drag-chain application possible). Predestined for applications in food- and beverage industry. P01-cables meet the UL and CSA (UL1729/2464; cULus) requirements. Very good EMC-features with shielded versions.

|                              |  |
|------------------------------|--|
| Outer diameter of jacket     | 5.90 mm  |
| Cable-jacket material        | PVC  |
| Jacket color                 | GY, similar RAL7040  |
| Wire cross-section           | 5 x 0.34 mm <sup>2</sup>   |
| Wire insulation material     | PVC  |
| Wire colors                  | BN, WH, BU, BK, GY   |
| Wire structure               | 19 x 0.15 mm   |
| Bending radius (fixed)       | 5 x Ø-cable  |
| Bending radius (repeated)    | 10 x Ø-cable   |
| Temperature range (repeated) | 0°C...+80°C  |
| Temperature range (fixed)    | -25°C...+80°C  |
| Shielding                    | Yes  |
| Rated voltage cable          | ≤300 V   |
| Special features             | seawater resistant, recyclable, LABS free, RoHs compliant, acid- and alkali resistant, ozone resistant, UV resistant, hydrolysis proof |

|                       |  |
|-----------------------|--|
| <b>Classification</b> |  |
|-----------------------|--|

|            |          |
|------------|----------|
| eCl@ss 6.0 | 27279218 |
| eCl@ss 7.0 | 27279218 |
| eCl@ss 8.0 | 27279218 |
| eCl@ss 9.0 | 27060311 |
| ETIM 5.0   | EC001855 |
| ETIM 6.0   | EC001855 |

|                    |
|--------------------|
| <b>Accessories</b> |
|--------------------|

Mounting-set, M12  
<https://www.escha.net/en/products/standard/accessories-for-connectivity/8047664>

Torque-wrench set  
<https://www.escha.net/en/products/standard/accessories-for-connectivity/8055431>

Marking rings Ø 9mm  
<https://www.escha.net/en/products/standard/accessories-for-connectivity/?p=1&o=3&n=15&f=809>

|                        |
|------------------------|
| <b>Link to product</b> |
|------------------------|

<https://www.escha.net/en/products/standard/sensoractuator-connectors/8051820>