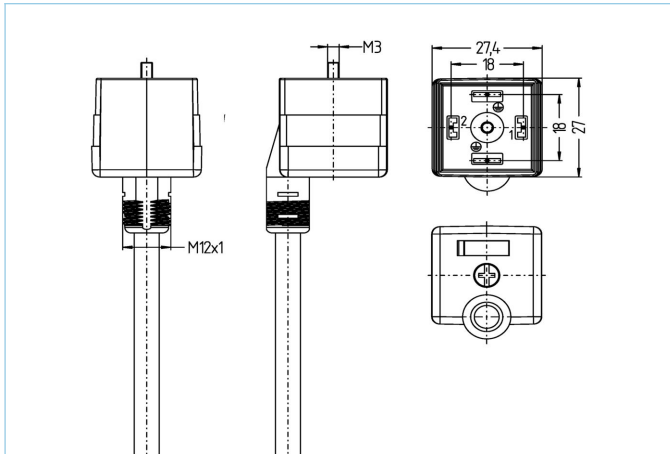


## Valve connector, housing style A, straight, 2+PE bridged, sensor-/actuator cable



### Product data

|                    |                    |
|--------------------|--------------------|
| Item description   | VAAG22-24.1-2/S370 |
| Item-No.           | 8055651            |
| Length             | 2m                 |
| Customs tariff-No. | 85444290           |
| Step-File          | VAAG22.stp         |
| EAN                | 4047106139834      |

### Technical data

|                                |                               |
|--------------------------------|-------------------------------|
| Connector                      | female, straight, Valve AAG   |
| Number of pins                 | 2+PE, PE bridged              |
| Pin assignment                 | 1 BN, 2 BU, PE: GNYE          |
| Rated voltage                  | 30V <sub>AC/DC</sub>          |
| Current load per pin (at 40°C) | 10A                           |
| Insulation resistance          | ≥10 <sup>9</sup> Ω            |
| Ambient temperature product    | -30°C...+90°C                 |
| Signal status-indicator        | LED YE                        |
| Contact material               | Metal, CuSn, silver-plated    |
| Contact-carrier material       | Plastic, PA, BK               |
| Grip body material             | Plastic, TPU, BK, translucent |
| Sealing (female) material      | Plastic, TPU                  |
| Protection circuit             | without                       |
| Fixing screw                   | Metal, CuZn, nickel-plated    |
| Housing style                  | AAG                           |
| Standards                      | DIN EN 175301-803             |
| Degree of protection (mounted) | IP65, IP67, IP68              |
| Mechanical life-cycle          | >100 mating cycles            |
| Degree of pollution            | 3                             |
| Style                          | straight                      |

|              |                      |
|--------------|----------------------|
| <b>Cable</b> | <b>PUR, UL, S370</b> |
|--------------|----------------------|

Flexible, silicone- and halogen-free control line with high mechanical strength. The cable is chemicals, hydrolysis-, and microbes- resistant. The drag-chain application is possible at a bending radius of minimum 10 x d. Due to its weld-field immunity, the cable is very well suited for the flexible application in robotics, machine-tool, and metal-cutting production. The cables meet the UL and CSA (UL10493/20549; cULus) requirements.

|                                |  |
|--------------------------------|--|
| Outer diameter of jacket       | 5.7 +/- 0.2 mm   |
| Cable-jacket material          | PUR  |
| Jacket color                   | BK, similar RAL9005  |
| Wire cross-section             | 3 x 0.75 mm <sup>2</sup>   |
| Wire insulation material       | PP   |
| Wire colors                    | BN, BU, GNYE   |
| Wire structure                 | 42 x 0,15 mm   |
| Bending radius (fixed)         | 5 x Ø-cable  |
| Bending radius (repeated)      | 10 x Ø-cable   |
| Temperature range (repeated)   | -30°C...+90°C  |
| Temperature range (fixed)      | -40°C...+90°C  |
| Temperature range (drag chain) | -25°C...+60°C  |
| Drag chain-application         | 2 Mio. cycles  |
| Halogen-free                   | Yes  |
| Torsion                        | +/-180°/m, < 1 Mio. cycles   |
| Rated voltage cable            | ≤300 V   |
| Special features               | flame retardant, seawater resistant, recyclable, LABS free, RoHs compliant, acid- and alkali resistant, ozone resistant, UV resistant, hydrolysis proof, drag chain-adapted, torsion resistant, welding sparks resistant, halogen free, silicone free, oil resistant |

|                       |  |
|-----------------------|--|
| <b>Classification</b> |  |
|-----------------------|--|

|            |          |
|------------|----------|
| eCl@ss 6.0 | 27279218 |
| eCl@ss 7.0 | 27279218 |
| eCl@ss 8.0 | 27279218 |
| eCl@ss 9.0 | 27060312 |
| ETIM 5.0   | EC001855 |
| ETIM 6.0   | EC001855 |

|                    |
|--------------------|
| <b>Accessories</b> |
|--------------------|

Labels, Valve connector  
<https://www.escha.net/en/products/standard/accessories-for-connectivity/8047109>

|                        |
|------------------------|
| <b>Link to product</b> |
|------------------------|

<https://www.escha.net/en/products/standard/valve-connectors/8055651>