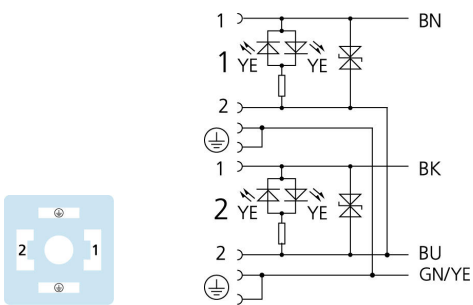
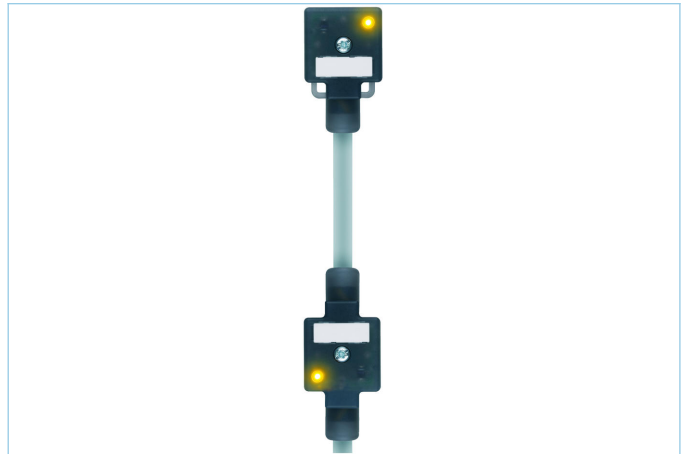
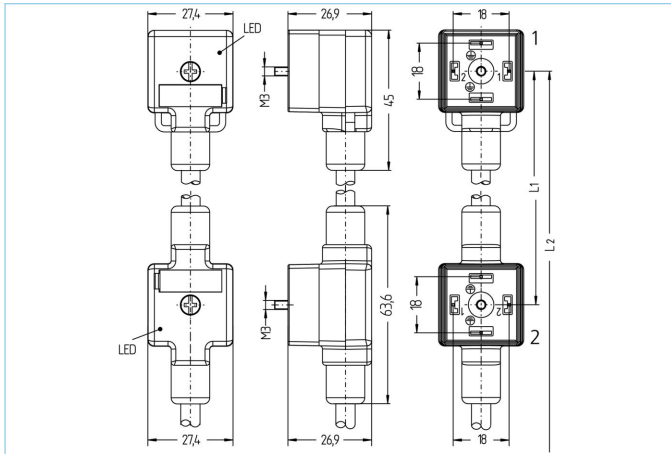


Double-valve connector, housing style A, 2+PE bridged, suppressor diode, sensor-/actuator cable



Product data

Item description	VA22-24.3-0,15-DA22-24.3-2/P00
Item-No.	8055749
Length	2m
Distance of valve connectors	0.15m
Customs tariff-No.	85444290
Step-File	VA22-24_3-L-DA22-24_3-m_S_.stp
EAN	4047106140762

Technical data

	A-side	B-side
Connector	female, angled, Valve A	female, angled, Valve D
Number of pins	2+PE, PE bridged	2+PE, PE bridged
Pin assignment	1 BN, 2 BU, 3 n.c., PE: GNYE	1 BK, 2 BU, 3 n.c., PE: GNYE
Rated voltage	24V _{AC/DC}	24V _{AC/DC}
Current load (at 40°C)	4A	4A
Insulation resistance	≥10 ⁹ Ω	≥10 ⁹ Ω
Ambient temperature product	-30°C...+90°C	-30°C...+90°C
Contact material	Metal, CuSn, silver-plated	Metal, CuSn, silver-plated
Contact-carrier material	Plastic, PA, BK	Plastic, PA, BK
Grip body material	Plastic, TPU, BK, translucent	Plastic, TPU, BK, translucent
Sealing (female) material	Plastic, TPU	Plastic, TPU
Sealing (female) material B-side	Plastic, TPU	Plastic, TPU
Signal status-indicator	LED YE/YE	
Protection circuit	Suppressor diode	
Fixing screw	Metal, CuZn, nickel-plated	Metal, CuZn, nickel-plated
Housing style	A	D

Degree of protection (mounted)	IP65, IP67, IP68	IP65, IP67, IP68
Mechanical life-cycle	>100 mating cycles	>100 mating cycles

Cable	PVC, P00, GY
--------------	---------------------

PVC-cable for measurement and control-, and sensor technology. Suitable for applications in dry areas on packaging machines, assembly- and conveyor technology. High flexibility with unstressed movement (conditional drag-chain application possible). Predestined for applications in food- and beverage industry.

Outer diameter of jacket	7.3 mm
Cable-jacket material	PVC
Jacket color	GY, similar RAL7040
Wire cross-section	4 x 0.75 mm ²
Wire insulation material	PVC
Wire colors	BN, BK, BU, GNYE
Wire structure	24 x 0,20 mm
Bending radius (fixed)	5xØ-cable
Bending radius (repeated)	10 x Ø-cable
Temperature range (repeated)	0°C...+80°C
Temperature range (fixed)	-25°C...+80°C
Rated voltage cable	240V
Special features	seawater resistant, recyclable, LABS free, RoHs compliant, acid- and alkali resistant, ozone resistant, UV resistant

Classification

eCl@ss 6.0	27279218
eCl@ss 7.0	27279218
eCl@ss 8.0	27279218
eCl@ss 9.0	27060312
ETIM 5.0	EC001855
ETIM 6.0	EC001855

Accessories

Labels, Valve connector https://www.escha.net/en/products/standard/accessories-for-connectivity/8047109
Fixing screw https://www.escha.net/en/products/standard/accessories-for-connectivity/8060907

Link to product

<https://www.escha.net/en/products/standard/valve-connectors/8055749>