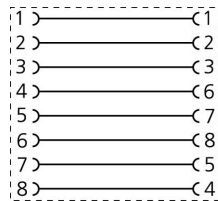
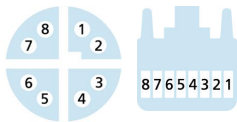
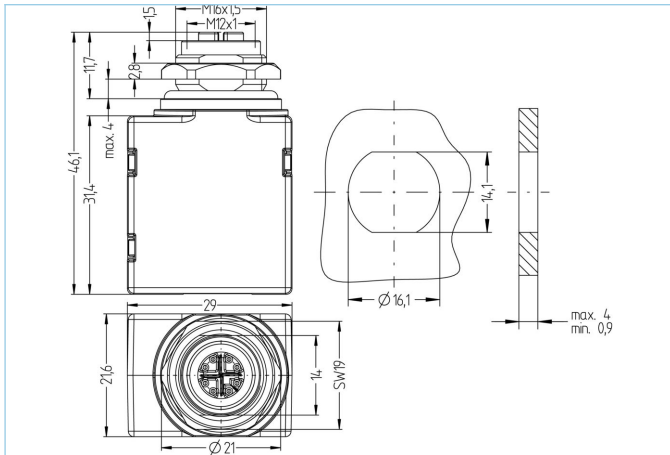


Panel feed through, M12, female, straight, 8 poles, X-coded, RJ45, female, straight, 8 poles, back wall-mounting, shielded, Industrial Ethernet



**Product data**

Item description	IE-FKFDSX8-RJ45KS
Item-No.	8055773
Customs tariff-No.	85366990
Step-File	IE-FKFDSX8-RJ45KS.stp
EAN	4047106140984

Technical data	A-side	B-side
Connector	female, straight, M12	female, straight, RJ45
Number of pins	8	8
Coding of	X	
Rated voltage	50V <sub>AC</sub>   60V <sub>DC</sub>	50V <sub>AC</sub>   60V <sub>DC</sub>
Current load (at 40°C)	0.5A	0.5A
Insulation resistance	≥10 <sup>9</sup> Ω	≥10 <sup>9</sup> Ω
Transmission features	Cat6A	Cat6A
Ambient temperature product	-25°C...+85°C	-25°C...+85°C
Contact material	Metal, CuZn, gold-plated	Metal, CuSn, gold-plated
Contact-carrier material	Plastic, PA, GN	Plastic, PA, BK
Shielding	with shielding	with shielding
Wall thickness area (Δh)	0,9...4,0 mm	
Standards	IEC 61076-2-109	IEC 60603-7-51
Degree of protection (mounted)	IP67	IP20
Mechanical life-cycle	>100 mating cycles	>100 mating cycles
Degree of pollution	2	2

**Advanced technical data rail approved**

Standards	DIN EN 50155, DIN EN 45545-2
Shock & vibration	Class 1, Category B (DIN EN 61373)
Degree of protection (mounted)	IP67 (-30°C...+90°C), IP65 (-40°C...+90°C), IP20 (RJ45)
Temperature range	Tx (-40°C...+90°C)
Fire prevention according to	DIN EN 45545-2 HL1-3

**Classification**

eCl@ss 6.0	27279201
eCl@ss 7.0	27279201
eCl@ss 8.0	27279201
eCl@ss 9.0	27440106
ETIM 5.0	EC002062
ETIM 6.0	EC002925

**Link to product**

<https://www.escha.net/en/products/standard/receptacles/8055773>