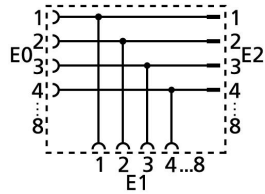
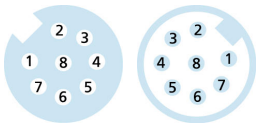
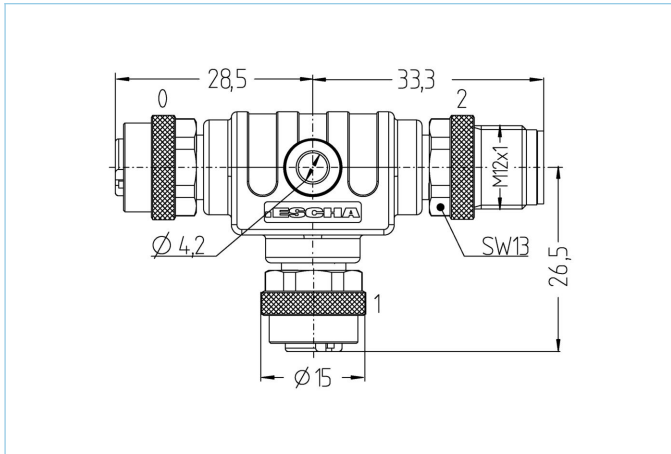


T-splitter, M12, female, straight, 8 poles, M12, female, straight, 8 poles, M12, male, straight, 8 poles, shielded



Product data			
Item description	T-WAKS8-WAKS8-WASS8		
Item-No.	8057720		
Customs tariff-No.	85366990		
Step-File	T-WAKS8-WAKS8-WASS8.stp		
EAN	4047106141622		
	Exit 0	Exit 1	Exit 2
Connector	female, M12	female, M12	male, M12
Contact material	Metal, CuZn, gold-plated	Metal, CuZn, gold-plated	Metal, CuZn, gold-plated
Contact-carrier material	Plastic, TPU, BK	Plastic, TPU, BK	Plastic, TPU, BK
Coupling nut material	Metal, CuZn, nickel-plated	Metal, CuZn, nickel-plated	Metal, CuZn, nickel-plated
Rated voltage	30V	30V	30V
Coding of	A	A	A
Number of pins	8	8	8
Current load (at 40°C)	2A	2A	2A
Insulation resistance	≥10 ⁹ Ω		
Ambient temperature product	-30°C...+90°C		
Grip body material	Plastic, TPU, BK		
Sealing (female) material	FPM/FKM		
Shielding	with shielding		
Mechanical life-cycle	>100 mating cycles		
Standards	IEC 61076-2-101		
Degree of protection (mounted)	IP65, IP67, IP68		
Degree of pollution	3		

Classification

eCl@ss 6.0	27279201
eCl@ss 7.0	27279201
eCl@ss 8.0	27279201
eCl@ss 9.0	27440106
ETIM 5.0	EC002062
ETIM 6.0	EC002925

Link to product

<https://www.escha.net/en/products/standard/t-splitters-y-splitters/8057720>