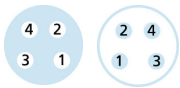
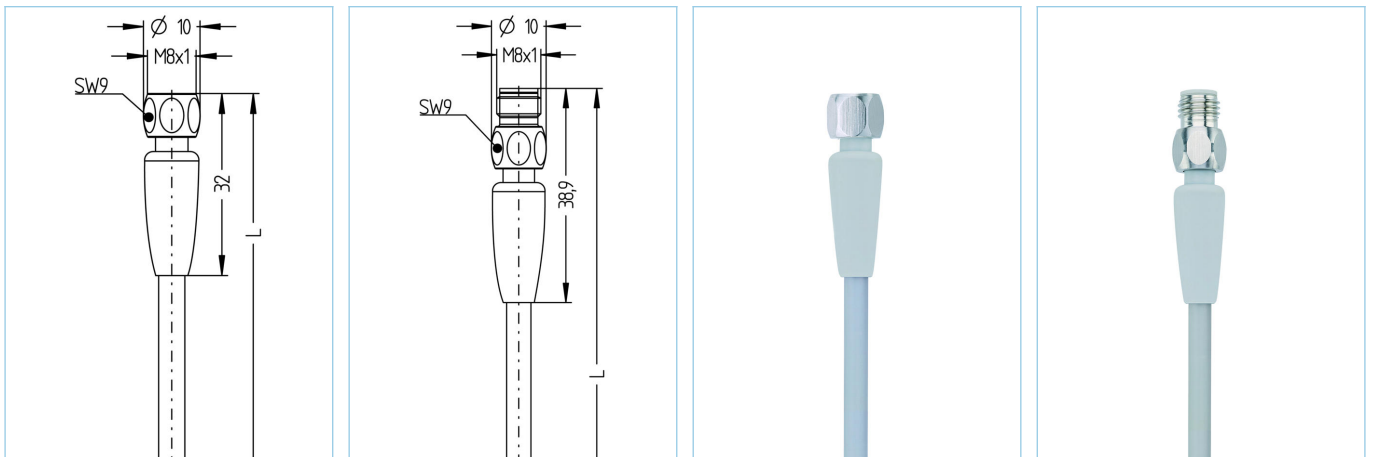


M8, female, straight, 4 poles, M8, male, straight, 4 poles, Food & Beverage



| Product data | | |
|--------------------------------|---------------------------|--------------------------|
| Item description | FB-SKPH4-5-FB-SSPH4/S3930 | |
| Item-No. | 8058604 | |
| Length | 5m | |
| Customs tariff-No. | 85444290 | |
| Step-File | FB-SKPH4-L-FB-SSPH4.stp | |
| EAN | 4047106142285 | |
| Technical data | A-side | B-side |
| Connector | female, straight, M8 | male, straight, M8 |
| Number of pins | 4 | 4 |
| Pin assignment | 1 BN, 2 WH, 3 BU, 4 BK | 1 BN, 2 WH, 3 BU, 4 BK |
| Rated voltage | 60V | 60V |
| Current load (at 40°C) | 4A | 4A |
| Insulation resistance | ≥10 ⁹ Ω | ≥10 ⁹ Ω |
| Ambient temperature product | -40°C...+105°C | -40°C...+105°C |
| Contact material | Metal, CuZn, gold-plated | Metal, CuZn, gold-plated |
| Contact-carrier material | Plastic, PP, GY | Plastic, PP, GY |
| Grip body material | Plastic, PP, GY | Plastic, PP, GY |
| Coupling nut material | Stainless steel, V4A | Stainless steel, V4A |
| Sealing (female) material | EPDM | |
| Standards | IEC 61076-2-104 | IEC 61076-2-104 |
| Degree of protection (mounted) | IP65, IP67, IP68, IP69 | IP65, IP67, IP68, IP69 |
| Mechanical life-cycle | >100 mating cycles | >100 mating cycles |
| Degree of pollution | 3/2 | 3/2 |

| | |
|--------------|-----------------------|
| Cable | TPE, S3930, GY |
|--------------|-----------------------|

TPE jacketed cable with elevated position-proof wires with an insulation of special polyester. Resistant to all common acidic- and alkaline cleaning- and disinfection agents. PVC-free plastics prevent discoloration and hardening by detergents. Predestined for applications in the food- and beverage industry. Due to the materials used, it is also suitable for applications in machine- and plant construction. High stability, good drag-chain- and torsion capability.

| | |
|--------------------------------|---|
| Outer diameter of jacket | 4.60 mm |
| Cable-jacket material | TPE |
| Jacket color | GY, similar RAL7035 |
| Wire cross-section | 4 x 0.34 mm ² |
| Wire insulation material | TPE |
| Wire colors | BN, WH, BU, BK |
| Wire structure | 42 x 0.10 mm |
| Bending radius (fixed) | 5 x Ø-cable |
| Bending radius (repeated) | 10 x Ø-cable |
| Temperature range (repeated) | -25°C...+105°C |
| Temperature range (fixed) | -40°C...+105°C |
| Temperature range (drag chain) | -25°C...+60°C |
| Halogen-free | Yes |
| Rated voltage cable | ≤240 V _{AC} |
| Special features | seawater resistant, recyclable, LABS free, RoHs compliant, ozone resistant, hydrolysis proof, drag chain-adapted, torsion resistant, halogen free, excellent acid- and alkali resistant, verified resistance against P3-topactive, flexibility at low temperature, increased thermal load |

| | |
|-----------------------|--|
| Classification | |
|-----------------------|--|

| | |
|------------|----------|
| eCl@ss 6.0 | 27279218 |
| eCl@ss 7.0 | 27279218 |
| eCl@ss 8.0 | 27279218 |
| eCl@ss 9.0 | 27060311 |
| ETIM 5.0 | EC001855 |
| ETIM 6.0 | EC001855 |

| |
|--------------------|
| Accessories |
|--------------------|

| |
|------------------|
| Mounting-set, M8 |
|------------------|

<https://www.escha.net/en/products/standard/accessories-for-connectivity/8047663>

| |
|-------------------|
| Torque-wrench set |
|-------------------|

<https://www.escha.net/en/products/standard/accessories-for-connectivity/8055431>

| |
|---------------------|
| Marking rings Ø 9mm |
|---------------------|

<https://www.escha.net/en/products/standard/accessories-for-connectivity?p=1&o=3&n=15&f=809>

| |
|------------------------|
| Link to product |
|------------------------|

<https://www.escha.net/en/products/standard/connectors-for-the-food-industry/8058604>