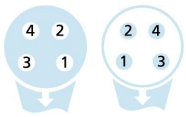
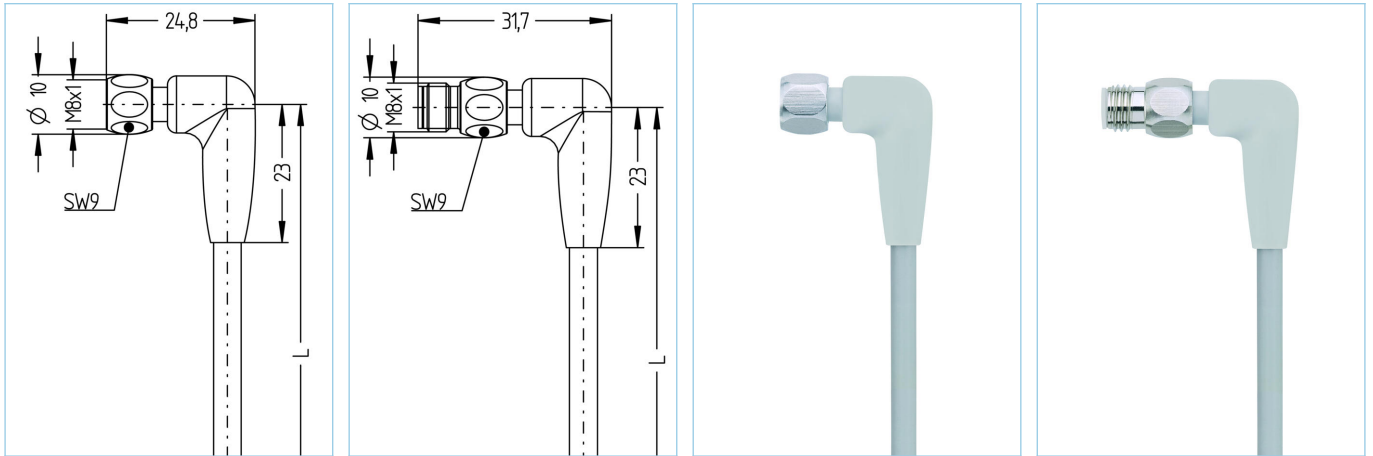


M8, female, angled, 4 poles, M8, male, angled, 4 poles, Food & Beverage



| Product data       |                                 |
|--------------------|---------------------------------|
| Item description   | FB-SWKPH4-2-FB-SWSPH4/S3930     |
| Item-No.           | 8058609                         |
| Length             | 2m                              |
| Customs tariff-No. | 85444290                        |
| Step-File          | FB-SWKPH4-L-FB-SWSPH4-S3930.stp |
| EAN                | 4047106142568                   |

| Technical data                 | A-side                   | B-side                   |
|--------------------------------|--------------------------|--------------------------|
| Connector                      | female, angled, M8       | male, angled, M8         |
| Number of pins                 | 4                        | 4                        |
| Pin assignment                 | 1 BN, 2 WH, 3 BU, 4 BK   | 1 BN, 2 WH, 3 BU, 4 BK   |
| Rated voltage                  | 60V                      | 60V                      |
| Current load (at 40°C)         | 4A                       | 4A                       |
| Insulation resistance          | ≥10 <sup>9</sup> Ω       | ≥10 <sup>9</sup> Ω       |
| Ambient temperature product    | -40°C...+105°C           | -40°C...+105°C           |
| Contact material               | Metal, CuZn, gold-plated | Metal, CuZn, gold-plated |
| Contact-carrier material       | Plastic, PP, GY          | Plastic, PP, GY          |
| Grip body material             | Plastic, PP, GY          | Plastic, PP, GY          |
| Coupling nut material          | Stainless steel, V4A     | Stainless steel, V4A     |
| Sealing (female) material      | EPDM                     |                          |
| Standards                      | IEC 61076-2-104          | IEC 61076-2-104          |
| Degree of protection (mounted) | IP65, IP67, IP68, IP69   | IP65, IP67, IP68, IP69   |
| Mechanical life-cycle          | >100 mating cycles       | >100 mating cycles       |
| Degree of pollution            | 3/2                      | 3/2                      |

**Cable** TPE, S3930, GY

TPE jacketed cable with elevated position-proof wires with an insulation of special polyester. Resistant to all common acidic- and alkaline cleaning- and disinfection agents. PVC-free plastics prevent discoloration and hardening by detergents. Predestined for applications in the food- and beverage industry. Due to the materials used, it is also suitable for applications in machine- and plant construction. High stability, good drag-chain- and torsion capability.

|                                |   |
|--------------------------------|---|
| Outer diameter of jacket       | 4.60 mm   |
| Cable-jacket material          | TPE   |
| Jacket color                   | GY, similar RAL7035   |
| Wire cross-section             | 4 x 0.34 mm <sup>2</sup>  |
| Wire insulation material       | TPE   |
| Wire colors                    | BN, WH, BU, BK  |
| Wire structure                 | 42 x 0.10 mm  |
| Bending radius (fixed)         | 5 x Ø-cable   |
| Bending radius (repeated)      | 10 x Ø-cable  |
| Temperature range (repeated)   | -25°C...+105°C  |
| Temperature range (fixed)      | -40°C...+105°C  |
| Temperature range (drag chain) | -25°C...+60°C   |
| Halogen-free                   | Yes   |
| Rated voltage cable            | ≤240 V <sub>AC</sub>  |
| Special features               | seawater resistant, recyclable, LABS free, RoHs compliant, ozone resistant, hydrolysis proof, drag chain-adapted, torsion resistant, halogen free, excellent acid- and alkali resistant, verified resistance against P3-topactive, flexibility at low temperature, increased thermal load |

**Classification**

|            |          |
|------------|----------|
| eCl@ss 6.0 | 27279218 |
| eCl@ss 7.0 | 27279218 |
| eCl@ss 8.0 | 27279218 |
| eCl@ss 9.0 | 27060311 |
| ETIM 5.0   | EC001855 |
| ETIM 6.0   | EC001855 |

**Accessories**
**Mounting-set, M8**

<https://www.escha.net/en/products/standard/accessories-for-connectivity/8047663>

**Torque-wrench set**

<https://www.escha.net/en/products/standard/accessories-for-connectivity/8055431>

**Marking rings Ø 9mm**

<https://www.escha.net/en/products/standard/accessories-for-connectivity?p=1&o=3&n=15&f=809>

**Link to product**

<https://www.escha.net/en/products/standard/connectors-for-the-food-industry/8058609>