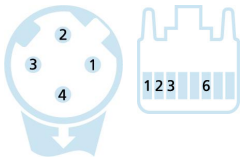
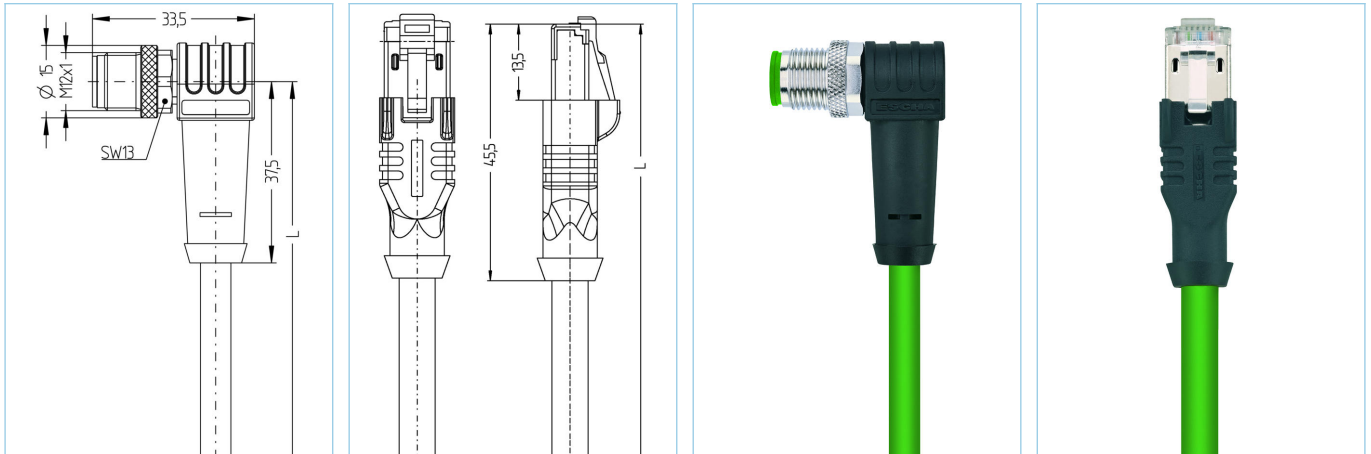


M12, male, angled, 4 poles, D-coded, RJ45, male, straight, 4 poles, shielded, Industrial Ethernet 100 MBit/s



Product data

| | |
|--------------------|---------------------------------------|
| Item description | IE-WWASSY4.029-2-IE-RJ45SS4.003/S2171 |
| Item-No. | 8062318 |
| Length | 2m |
| Customs tariff-No. | 85444290 |
| Step-File | IE-WWASSY4_029-L-IE-RJ45SS4_003.stp |
| EAN | 4047106148577 |
| Label-carrier | 2 pieces |

| Technical data | A-side | B-side |
|--------------------------------|----------------------------|--------------------------|
| Connector | male, angled, M12 | male, straight, RJ45 |
| Number of pins | 4 | 4 |
| Pin assignment | 1 YE, 2 WH, 3 OG, 4 BU | 1 YE, 2 OG, 3 WH, 6 BU |
| Coding of | D | |
| Rated voltage | 60V | 60V |
| Current load (at 40°C) | 4A | 1A |
| Insulation resistance | ≥10 ⁹ Ω | ≥10 ⁹ Ω |
| Transmission features | Cat5e | Cat5e |
| Ambient temperature product | -30°C...+90°C | -40°C...+70°C |
| Contact material | Metal, CuSn, gold-plated | Metal, CuZn, gold-plated |
| Contact-carrier material | Plastic, TPU, BK | Plastic |
| Grip body material | Plastic, TPU, BK | Plastic, TPU, BK |
| Coupling nut material | Metal, CuZn, nickel-plated | |
| Shielding | with shielding | with shielding |
| Standards | IEC 61076-2-101 | IEC 60603-7-5 |
| Degree of protection (mounted) | IP65, IP67, IP68 | IP20 |
| Mechanical life-cycle | >100 mating cycles | >750 mating cycles |
| Degree of pollution | 3 | 1 |

| | |
|--------------|--|
| Cable | Cat5e, PUR, UL, S2171, PROFINET |
|--------------|--|

Shielded, PUR-cable for industrial applications. The cable is CMX-verified or meets the Cat5e (electrical properties of EN 50288-2-1) requirements. Materials and a constructive setup allow for increased mechanical stresses (abrasion, bending, vibrations etc.) of the cable. A drag-chain application with up to 3 million bending cycles is possible.

| | |
|------------------------------|---|
| Outer diameter of jacket | 6.50 mm |
| Cable-jacket material | PUR |
| Jacket color | GN, similar RAL6018 |
| Wire cross-section | 1 x 4 x AWG22, star quad |
| Wire insulation material | FRNC |
| Wire colors | WH, BU, OG, YE |
| Wire structure | 7 x 0.25 mm |
| Bending radius (fixed) | 4 x Ø-cable |
| Bending radius (repeated) | 8 x Ø-cable |
| Temperature range (repeated) | -30°C...+70°C |
| Temperature range (fixed) | -40°C...+75°C |
| Drag chain-application | 3 Mio. bending cycles |
| Halogen-free | Yes |
| Transmission features | Cat5e |
| Rated voltage cable | 600V UL rating |
| Special features | flame retardant, seawater resistant, recyclable, LABS free, RoHs compliant, acid- and alkali resistant, ozone resistant, UV resistant, hydrolysis proof, drag chain-adapted, halogen free, oil resistant, high flexibility, microbes resistant, UN ECER118, PROFINET Type C |

| | |
|-----------------------|--|
| Classification | |
|-----------------------|--|

| | |
|------------|----------|
| eCl@ss 6.0 | 27060307 |
| eCl@ss 7.0 | 27060307 |
| eCl@ss 8.0 | 27060307 |
| eCl@ss 9.0 | 27060307 |
| ETIM 5.0 | EC000830 |
| ETIM 6.0 | EC000830 |

| |
|--------------------|
| Accessories |
|--------------------|

Torque-wrench set
<https://www.escha.net/en/products/standard/accessories-for-connectivity/8055431>

Marking rings Ø 9mm
<https://www.escha.net/en/products/standard/accessories-for-connectivity?p=1&o=3&n=15&f=809>

Unlocking clip for RJ45
<https://www.escha.net/en/products/standard/accessories-for-connectivity?p=1&o=3&n=15&f=807>

| |
|------------------------|
| Link to product |
|------------------------|

<https://www.escha.net/en/products/standard/data-connectors/8062318>