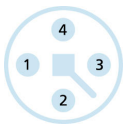
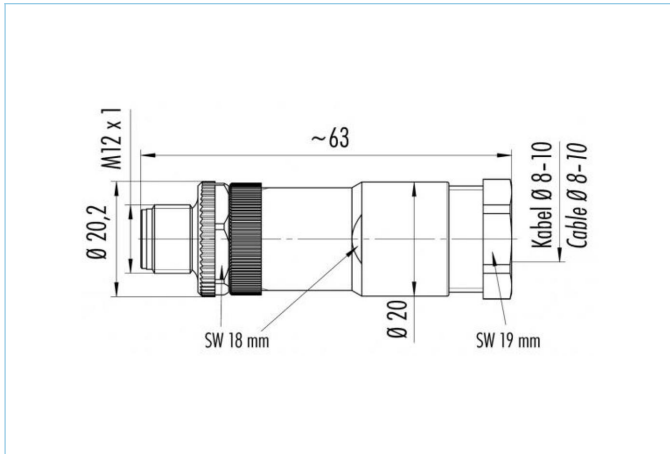
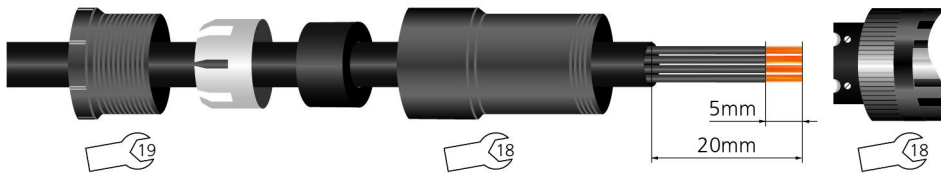


Field-wireable, M12, male, straight, 4 poles, T-coded, screw-/clamp contact, 63V 12A



Product data	
Item description	PT-WASC4K
Item-No.	8063397
Customs tariff-No.	85366990
Step-File	PT-WASC4K.STP
EAN	4047106149161
Technical data	
Connector	male, straight, M12
Number of pins	4
Coding	T
Rated voltage	63V <sub>DC</sub>
Current load per pin (at 40°C)	12A
Insulation resistance	≥10 <sup>9</sup> Ω
Resistance	≤ 3mΩ
Ambient temperature product	-40°C...+85°C
Contact material	Metal, CuZn, gold-plated
Contact-carrier material	Plastic, PA, BK
Grip body material	Plastic, PA, BK
Connecting cross-section	max. 1,50 mm <sup>2</sup>
Cable outlet	8...10 mm
Connecting type	Screw-/clamp contact
Standards	IEC 61076-2-111
Degree of protection (mounted)	IP67
Mechanical life-cycle	>100 mating cycles
Degree of pollution	3
Style	straight

**Manual**



**Classification**

eCl@ss 6.0	27260702
eCl@ss 7.0	27440102
eCl@ss 8.0	27440102
eCl@ss 9.0	27440102
ETIM 5.0	EC002635
ETIM 6.0	EC002635

**Link to product**

<https://www.escha.net/en/products/standard/field-wireable-connectors/8063397>