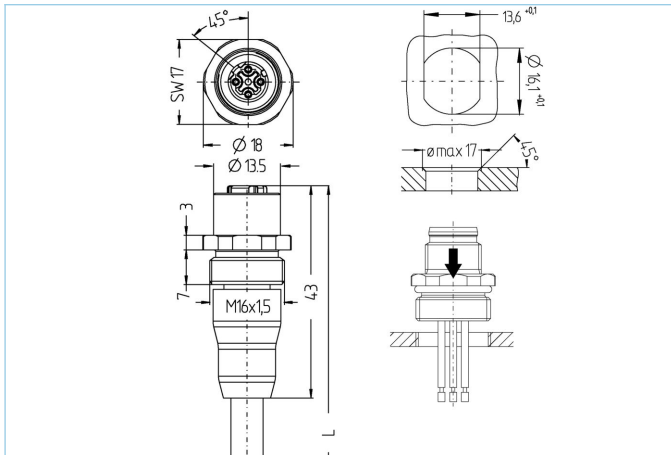


Receptacle Single-ended cordset, M12, female, straight, 4 poles, D-coded, front wall-mounting, shielded, Industrial Ethernet



**SERCOS**  
the automation bus



**Product data**

|                    |                               |
|--------------------|-------------------------------|
| Item description   | IE-FKSY4.029-5/16/S3800/S3801 |
| Item-No.           | 8063606                       |
| Length             | 5m                            |
| Customs tariff-No. | 85444290                      |
| Step-File          | IE-FKSY4_029-m_16.stp         |
| EAN                | 4047106149468                 |

**Technical data**

|                                |  |
|--------------------------------|--|
| Connector                      | female, straight, M12                      |
| Number of pins                 | 4  |
| Pin assignment                 | 1 YE, 2 WH, 3 OG, 4 BU                     |
| Coding                         | D  |
| Rated voltage                  | 60V  |
| Current load per pin (at 40°C) | 4A   |
| Insulation resistance          | ≥10 <sup>9</sup> Ω                         |
| Transmission features          | Cat5e                                      |
| Ambient temperature product    | -30°C...+70°C                              |
| Contact material               | Metal, CuZn, gold-plated                   |
| Contact-carrier material       | Plastic, PA, RD                            |
| Grip body material             | Plastic, hot melt, transparent             |
| Receptacle housing material    | Metal, CuZn, nickel-plated                 |
| Sealing (female) material      | FPM/FKM                                    |
| Material of external sealing   | NBR  |
| Shielding                      | with shielding                             |
| Mounting direction             | Front wall-mounting (without fixing screw) |
| Adjustable fixing screw        | No   |
| Fastening thread               | M16x1.5                                    |

|                                |                    |
|--------------------------------|--------------------|
| Connecting type                | Cable              |
| Standards                      | IEC 61076-2-101    |
| Degree of protection (mounted) | IP65, IP67, IP68   |
| Mechanical life-cycle          | >100 mating cycles |
| Degree of pollution            | 3                  |
| Style                          | straight           |

|              |                                      |
|--------------|--------------------------------------|
| <b>Cable</b> | <b>Cat5e, PUR, UL, S3800, Sercos</b> |
|--------------|--------------------------------------|

Shielded PUR-cable for industrial applications. The cable is CMX-verified or meets the Cat5e (electrical properties of EN 50288-2-1) requirements. Materials and a constructive setup allow for increased mechanical stresses (abrasion, bending, vibrations etc.) of the cable. A drag-chain application with up to 3million bending cycles is possible.

|                                |  |
|--------------------------------|--|
| Outer diameter of jacket       | 6.50 mm  |
| Cable-jacket material          | PUR  |
| Jacket color                   | RD, similar RAL3020  |
| Wire cross-section             | 1 x 4 x AWG22, star quad   |
| Wire insulation material       | FRNC   |
| Wire colors                    | OG, WH, BU, YE   |
| Wire structure                 | 7 x 0.254 mm   |
| Bending radius (fixed)         | 4 x Ø-cable  |
| Bending radius (repeated)      | 8 x Ø-cable  |
| Temperature range (repeated)   | -40°C...+80°C  |
| Temperature range (fixed)      | -40°C...+80°C  |
| Temperature range (drag chain) | -40°C...+80°C  |
| Drag chain-application         | up to 3 Mio. bending cycles  |
| Halogen-free                   | Yes  |
| Transmission features          | Cat5e  |
| Rated voltage cable            | 300 V UL rating  |
| Special features               | flame retardant, seawater resistant, recyclable, LABS free, RoHs compliant, acid- and alkali resistant, ozone resistant, UV resistant, hydrolysis proof, drag chain-adapted, halogen free, oil resistant, high flexibility, microbes resistant |

|                       |  |
|-----------------------|--|
| <b>Classification</b> |  |
|-----------------------|--|

|            |          |
|------------|----------|
| eCl@ss 6.0 | 27279220 |
| eCl@ss 7.0 | 27440103 |
| eCl@ss 8.0 | 27440103 |
| eCl@ss 9.0 | 27440103 |
| ETIM 5.0   | EC002061 |
| ETIM 6.0   | EC002061 |

|                        |
|------------------------|
| <b>Link to product</b> |
|------------------------|

<https://www.escha.net/en/products/standard/receptacles/8063606>