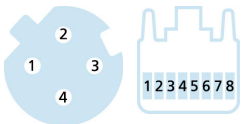
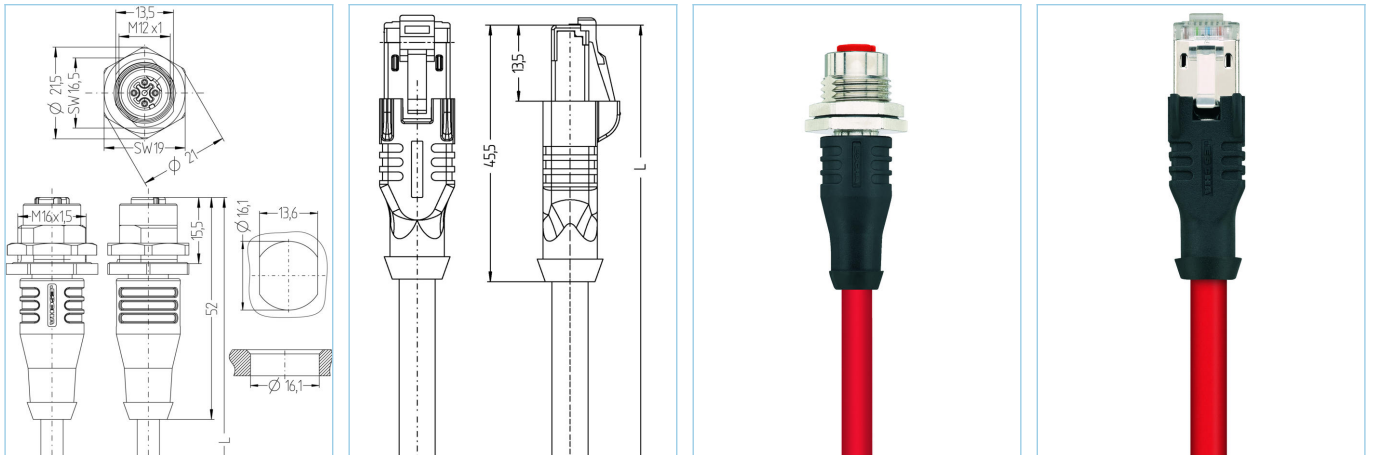


Receptacle Double-ended cordset, M12, female, straight, 4 poles, D-coded, RJ45, male, straight, 4 poles, shielded, Industrial Ethernet



**SERCOS**  
the automation bus



**Product data**

Item description	IE-FKFDSY4.029-1-IE-RJ45SS4.003/S3800
Item-No.	8064026
Length	1m
Customs tariff-No.	85444290
Step-File	IE-FKFDSY4-m-IE-RJ45SS4.stp
EAN	4047106152727

Technical data	A-side	B-side
Connector	female, straight, M12	male, straight, RJ45
Number of pins	4	
Pin assignment	1 YE, 2 WH, 3 OG, 4 BU	1 YE, 3 WH, 2 OG, 6 BU
Coding of	D	
Rated voltage	250V	50V
Current load (at 40°C)	4A	1A
Insulation resistance	≥10 <sup>9</sup> Ω	
Transmission features	Cat5e	Cat5e
Ambient temperature product	-30°C...+90°C	-40°C...+70°C
Contact material	Metal, CuSn, gold-plated	Metal, CuZn, gold-plated
Contact-carrier material	Plastic, PA, GN	Plastic
Grip body material	Plastic, TPU, BK	Plastic, TPU, BK
Receptacle housing material	Metal, CuZn, nickel-plated	
Sealing (female) material	FPM/FKM	
Material of external sealing	NBR	
Shielding	with shielding	with shielding
Material of shielding housing		Metal, CuZn, nickel-plated
Standards	IEC 61076-2-101/-109	IEC 60603-7-5
Degree of protection (mounted)	IP65, IP67, IP68	IP20
Mechanical life-cycle	>100 mating cycles	>750 mating cycles
Degree of pollution	3	1

### Advanced technical data UL

Rated voltage 48V<sub>AC/DC</sub>

Rated current 1,0V

### Cable Cat5e, PUR, UL, S3800, Sercos

Shielded PUR-cable for industrial applications. The cable is CMX-verified or meets the Cat5e (electrical properties of EN 50288-2-1) requirements. Materials and a constructive setup allow for increased mechanical stresses (abrasion, bending, vibrations etc.) of the cable. A drag-chain application with up to 3million bending cycles is possible.

Outer diameter of jacket 6.50 mm

Cable-jacket material PUR

Jacket color RD, similar RAL3020

Wire cross-section 1 x 4 x AWG22, star quad

Wire insulation material FRNC

Wire colors OG, WH, BU, YE

Wire structure 7 x 0.254 mm

Bending radius (fixed) 4 x Ø-cable

Bending radius (repeated) 8 x Ø-cable

Temperature range (repeated) -40°C...+80°C

Temperature range (fixed) -40°C...+80°C

Temperature range (drag chain) -40°C...+80°C

Drag chain-application up to 3 Mio. bending cycles

Halogen-free Yes

Transmission features Cat5e

Rated voltage cable 300 V UL rating

Special features flame retardant, seawater resistant, recyclable, LABS free, RoHs compliant, acid- and alkali resistant, ozone resistant, UV resistant, hydrolysis proof, drag chain-adapted, halogen free, oil resistant, high flexibility, microbes resistant

### Classification

eCl@ss 6.0 27060307

eCl@ss 7.0 27060307

eCl@ss 8.0 27060307

eCl@ss 9.0 27060307

ETIM 5.0 EC000830

ETIM 6.0 EC000830

### Link to product

<https://www.escha.net/en/products/standard/data-connectors/8064026>