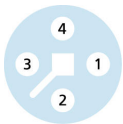
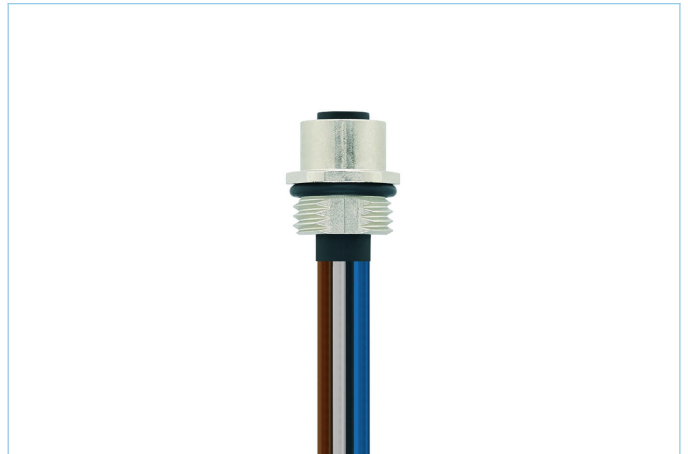
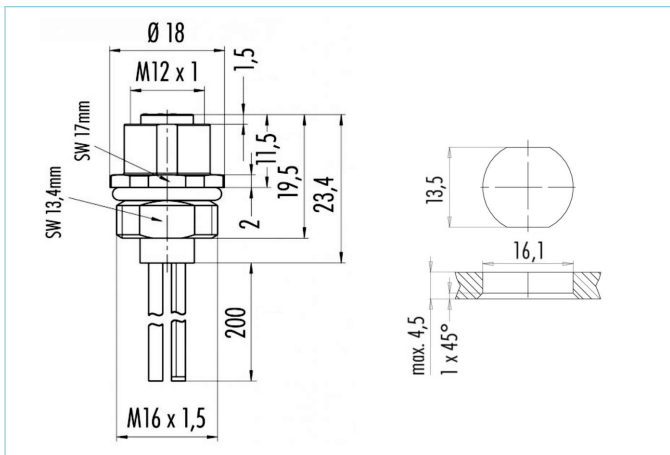


Receptacle, POWER, M12



Product data

| | |
|--------------------|------------------|
| Item description | PT-FVM12K4-0,2 |
| Item-No. | 8064855 |
| Customs tariff-No. | 85444290 |
| Step-File | PT-FVM12K4-m.stp |
| EAN | 4047106152833 |

Technical data

| | |
|--------------------------------|--|
| Connector | female, straight, M12 |
| Number of pins | 4 |
| Pin assignment | 1 BN, 2 WH, 3 BU, 4 BK |
| Coding | T |
| Rated voltage | 63V _{dc} |
| Current load per pin (at 40°C) | 12A |
| Resistance | ≤ 3mΩ |
| Ambient temperature product | -30°C...+90°C |
| Contact material | Metal, CuSn, gold-plated |
| Contact-carrier material | Plastic, PA, BK |
| Receptacle housing material | Zinc die-cast, nickel-plated |
| Sealing (female) material | FPM/FKM |
| Mounting direction | Front wall-mounting (without fixing screw) |
| Wire length | 0.20m |
| Wire colors | BN, WH, BU, BK |
| Connecting type | Wire contact |
| Wire cross-section | 4 x 1.5 mm ² |
| Wire insulation material | PVC |
| Fastening thread | M16x1.5 |

| | |
|--------------------------------|-------------------------|
| Standards | IEC 61076-2-111 |
| Degree of protection (mounted) | IP65, IP67, IP68 |
| Mechanical life-cycle | >100 mating cycles |
| Degree of pollution | 3 |
| Wire cross-section | 4 x 1.5 mm ² |
| Style | straight |
| Classification | |
| eCl@ss 6.0 | 27279220 |
| eCl@ss 7.0 | 27440103 |
| eCl@ss 8.0 | 27440103 |
| eCl@ss 9.0 | 27440103 |
| ETIM 5.0 | EC002061 |
| ETIM 6.0 | EC002061 |