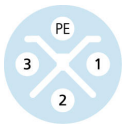
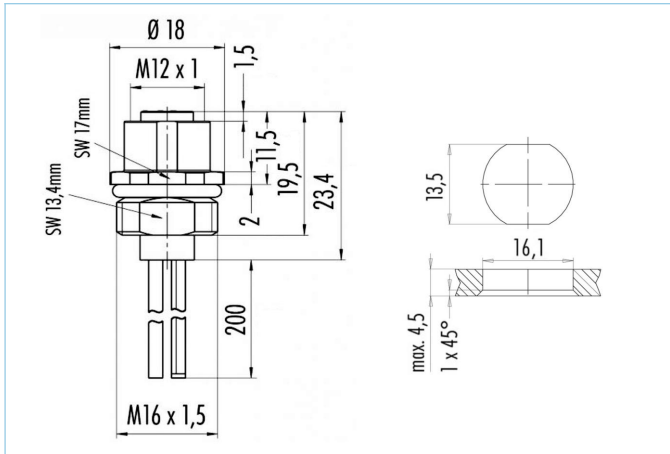


Receptacle, POWER, M12



Product data

Item description	PS-FVM12K4.163-0,2
Item-No.	8067075
Customs tariff-No.	85444290
Step-File	PS-FVM12K4_165-m.stp
EAN	4047106153045

Technical data

Connector	female, straight, M12
Number of pins	3+PE
Pin assignment	1 BK, 2 BK, 3 BK, 4 GNYE
Coding	S
Rated voltage	630V _{AC} 600V _{AC} (UL)
Current load per pin (at 40°C)	12A
Resistance	≤ 3mΩ
Ambient temperature product	-30°C...+90°C
Contact material	Metal, CuZn, gold-plated
Contact-carrier material	Plastic, PA, BK
Receptacle housing material	Zinc die-cast, nickel-plated
Mounting direction	Front wall-mounting (without fixing screw)
Wire length	0.20m
Connecting type	Wire contact
Wire cross-section	4 x 1.5 mm ²
Wire insulation material	PVC
Fastening thread	M16x1.5
Standards	IEC 61076-2-111
Degree of protection (mounted)	IP65, IP67, IP68
Mechanical life-cycle	>100 mating cycles
Degree of pollution	3
Wire cross-section	4 x 1.5 mm ²
Style	straight

Classification

eCl@ss 6.0	27279220
eCl@ss 7.0	27440103
eCl@ss 8.0	27440103
eCl@ss 9.0	27440103
ETIM 5.0	EC002061
ETIM 6.0	EC002061