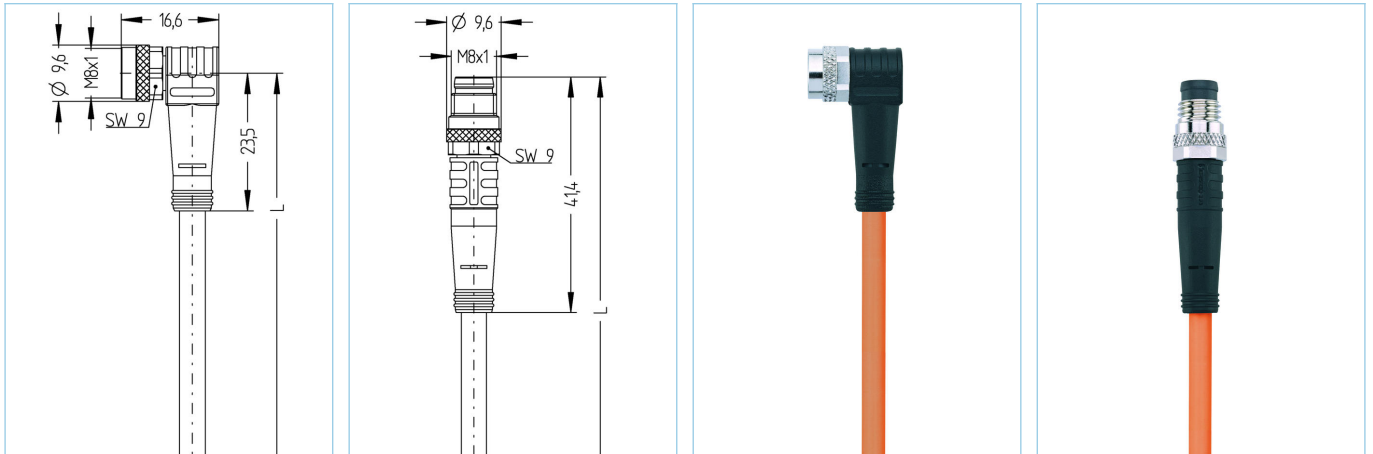


M8, female, angled, 4 poles, M8, male, straight, 4 poles, sensor-/actuator cable



**Product data**

|                    |                          |
|--------------------|--------------------------|
| Item description   | AL-SWKP4-2-AL-SSP4/S7400 |
| Item-No.           | 8067641                  |
| Length             | 2m                       |
| Customs tariff-No. | 85444290                 |
| Step-File          | AL-SWKP4_AL-SSP4.stp     |
| EAN                | 4047106153427            |
| Label-carrier      | 2 pieces                 |

| Technical data                 | A-side                     | B-side                     |
|--------------------------------|----------------------------|----------------------------|
| Connector                      | female, angled, M8         | male, straight, M8         |
| Number of pins                 | 4                          | 4                          |
| Pin assignment                 | 1 BN, 2 WH, 3 BU, 4BK      | 1 BN, 2 WH, 3 BU, 4BK      |
| Rated voltage                  | 60V                        | 60V                        |
| Current load (at 40°C)         | 4A                         | 4A                         |
| Insulation resistance          | ≥10 <sup>8</sup> Ω         | ≥10 <sup>8</sup> Ω         |
| Resistance                     | ≤ 5mΩ                      | ≤ 5mΩ                      |
| Ambient temperature product    | -30°C...+90°C              | -30°C...+90°C              |
| Contact material               | Metal, CuSn, gold-plated   | Metal, CuSn, gold-plated   |
| Contact-carrier material       | Plastic, TPU, BK           | Plastic, TPU, BK           |
| Grip body material             | Plastic, TPU, BK           | Plastic, TPU, BK           |
| Coupling nut material          | Metal, CuZn, nickel-plated | Metal, CuZn, nickel-plated |
| Sealing (female) material      | FPM/FKM                    |                            |
| Standards                      | IEC 61076-2-104            | IEC 61076-2-104            |
| Degree of protection (mounted) | IP65, IP67, IP68           | IP65, IP67, IP68           |
| Mechanical life-cycle          | >100 mating cycles         | >100 mating cycles         |
| Degree of pollution            | 3/2                        | 3/2                        |

|              |                                |
|--------------|--------------------------------|
| <b>Cable</b> | <b>PUR, UL, S7400, robotic</b> |
|--------------|--------------------------------|

Flexible, silicone- and halogen free control cable with high mechanical strength. Due to its outstanding properties in drag-chain adaption, torsionresistance and weld-field immunity, it is very well suited for the flexible applications in robotics, handling- and assembly technology as well as machine tools. The cable meets the UL and CSA (UL10493/20549; cULus) requirements.

|                                |  |
|--------------------------------|--|
| Outer diameter of jacket       | 4.80 mm  |
| Cable-jacket material          | PUR  |
| Jacket color                   | OG, similar RAL2003  |
| Wire cross-section             | 4 x 0.25 mm <sup>2</sup>   |
| Wire insulation material       | PP   |
| Wire colors                    | BN, WH, BU, BK   |
| Wire structure                 | 32 x 0.10 mm   |
| Bending radius (fixed)         | 5 x Ø-cable  |
| Bending radius (repeated)      | 10 x Ø-cable   |
| Temperature range (repeated)   | -30°C...+90°C  |
| Temperature range (fixed)      | -40°C...+90°C  |
| Temperature range (drag chain) | -25°C...+60°C  |
| Drag chain-application         | 5 Mio. cycles  |
| Halogen-free                   | Yes  |
| Torsion                        | +/-360°/m, ≥ 2 Mio. cycles   |
| Rated voltage cable            | ≤300 V   |
| Special features               | flame retardant, seawater resistant, recyclable, LABS free, RoHs compliant, acid- and alkali resistant, ozone resistant, UV resistant, hydrolysis proof, drag chain-adapted, torsion resistant, welding sparks resistant, halogen free, silicone free, oil resistant |

|                       |  |
|-----------------------|--|
| <b>Classification</b> |  |
|-----------------------|--|

|            |          |
|------------|----------|
| eCl@ss 6.0 | 27279218 |
| eCl@ss 7.0 | 27279218 |
| eCl@ss 8.0 | 27279218 |
| eCl@ss 9.0 | 27060311 |
| ETIM 5.0   | EC001855 |
| ETIM 6.0   | EC001855 |

|                    |
|--------------------|
| <b>Accessories</b> |
|--------------------|

Mounting-set, M8  
<https://www.escha.net/en/products/standard/accessories-for-connectivity/8047663>

Torque-wrench set  
<https://www.escha.net/en/products/standard/accessories-for-connectivity/8055431>

Marking rings Ø 9mm  
<https://www.escha.net/en/products/standard/accessories-for-connectivity/?p=1&o=3&n=15&f=809>

|                        |
|------------------------|
| <b>Link to product</b> |
|------------------------|

<https://www.escha.net/en/products/standard/sensoractuator-connectors/8067641>