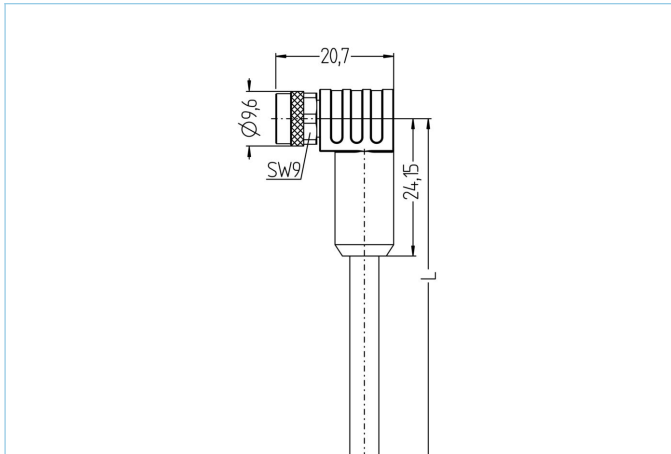


M8, female, angled, 8 poles, shielded, sensor-/actuator cable



Product data

| | |
|--------------------|------------------|
| Item description | AL-SWKPS8-5/S370 |
| Item-No. | 8109356 |
| Length | 5m |
| Customs tariff-No. | 85444290 |
| Step-File | AL-SWKPS8-m.stp |
| EAN | 4047106302986 |

Technical data

| | |
|--------------------------------|--|
| Connector | female, angled, M8 |
| Number of pins | 8 |
| Pin assignment | 1 WH, 2 BN, 3 GN, 4 YE, 5 GY, 6 PK, 7 BU, 8 RD |
| Rated voltage | 30V |
| Current load per pin (at 40°C) | 1.5A |
| Insulation resistance | $\geq 10^9 \Omega$ |
| Resistance | $\leq 5 m\Omega$ |
| Ambient temperature product | -30°C...+90°C |
| Contact material | Metal, CuZn, gold-plated |
| Contact-carrier material | Plastic, TPU, BK |
| Grip body material | Plastic, TPU, BK |
| Coupling nut material | Metal, CuZn, nickel-plated |
| Sealing (female) material | FPM/FKM |
| Shielding | with shielding |
| Standards | IEC 61076-2-104 |
| Degree of protection (mounted) | IP65, IP67, IP68 |
| Mechanical life-cycle | >100 mating cycles |
| Cable end assembly | open cable end |
| Degree of pollution | 3 |
| Style | angled |

| | |
|--------------|----------------------|
| Cable | PUR, UL, S370 |
|--------------|----------------------|

Flexible, silicone- and halogen-free control cable with high mechanical strength. The cable is chemicals, hydrolysis-, and microbes-resistant. The drag-chain application is possible at a bending radius of minimum $10 \times d$. Due to its weld-field immunity, the cable is very well suited for the flexible application in robotics, machine-tool, and metal-cutting production. The cables meet the UL and CSA (UL10493/20549; cULus) requirements. Very good EMC-features with shielded versions.

| | |
|--------------------------------|--|
| Outer diameter of jacket | 6.30 mm |
| Cable-jacket material | PUR |
| Jacket color | BK, similar RAL9005 |
| Wire cross-section | 8 x 0.25 mm ² |
| Wire insulation material | PP |
| Wire colors | WH, BN, GN, YE, GY, PK, BU, RD |
| Wire structure | 32 x 0.10 mm |
| Bending radius (fixed) | 5 x Ø-cable |
| Bending radius (repeated) | 12 x Ø-cable |
| Temperature range (repeated) | -30°C...+90°C |
| Temperature range (fixed) | -40°C...+90°C |
| Temperature range (drag chain) | -25°C...+60°C |
| Drag chain-application | ≥2 Mio. cycles |
| Shielding | Yes |
| Halogen-free | Yes |
| Torsion | +/-180°/m, ≥ 0.5 Mio. cycles |
| Rated voltage cable | ≤300 V |
| Special features | flame retardant, halogen free, hydrolysis proof, LABS free, oil resistant, ozone resistant, recyclable, RoHs compliant, acid- and alkali resistant, drag chain-adapted, welding sparks resistant, seawater resistant, silicone free, torsion resistant, UV resistant |

| | |
|-----------------------|--|
| Classification | |
|-----------------------|--|

| | |
|------------|----------|
| eCl@ss 6.0 | 27279218 |
| eCl@ss 7.0 | 27279218 |
| eCl@ss 8.0 | 27279218 |
| eCl@ss 9.0 | 27060311 |
| ETIM 5.0 | EC001855 |
| ETIM 6.0 | EC001855 |

| | |
|--------------------|--|
| Accessories | |
|--------------------|--|

Mounting-clip, M8
<https://www.escha.net/en/products/standard/accessories-for-connectivity/8047658>

Torque-wrench set
<https://www.escha.net/en/products/standard/accessories-for-connectivity/8055431>

Screw plug, M8
<https://www.escha.net/en/products/standard/accessories-for-connectivity/8081771>

Cable Stripping Tool
<https://www.escha.net/en/products/standard/accessories-for-connectivity/8066215>

Cable Stripping Tool
<https://www.escha.net/en/products/standard/accessories-for-connectivity/8066216>

| | |
|------------------------|--|
| Link to product | |
|------------------------|--|

<https://www.escha.net/en/products/standard/sensoractuator-connectors/8109356>