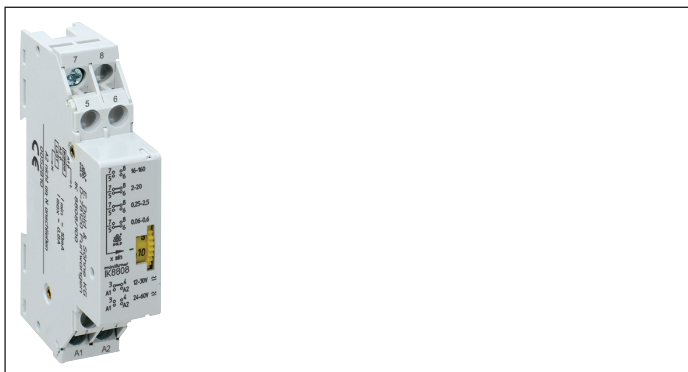


MINITIMER Timer, On-delay IK 8808

Translation
of the original instructions

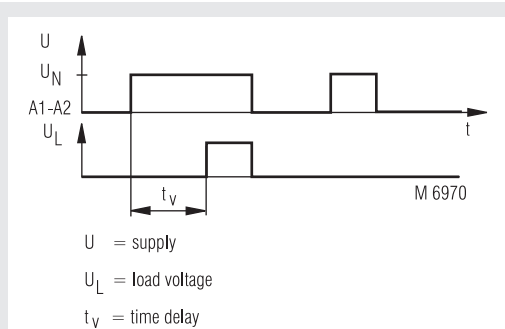


0221569



- For two-wire technology
- Power ON-delay relay according to EN 61812-1
- Programmable time ranges between 0.06 ... 160 s or 0.06 ... 160 min
- Programmable nominal voltage AC/DC 24 ... 240 V
- Repeat accuracy $\pm 1\%$
- Thyristor output for 10 ... 800 mA
- Width 17.5 mm

Function Diagram



Approvals and Markings



Application

Time-based control equipment

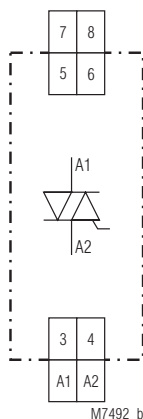
Notes

The units must be connected in accordance with the connection examples. Voltage may not be applied to the time relay when it is not loaded; if this is done, the time relay will be destroyed. Connections A1 and A2 have advance pole protection.

Unit Programming

Terminals	Bridge	Time sec/min	Voltage AC/DC [V]
5 - 6 7 - 8		16 ... 160	
5 - 6 7 - 8	X	2 ... 20	
5 - 6 7 - 8	X	0.25 ... 2.5	
5 - 6 7 - 8	X	0.06 ... 0.6	
3 - 4	X		24 ... 60
3 - 4			60 ... 240

Circuit Diagram



Technical Data

Time circuit

Time ranges: 0.06 ... 0.6 s or 0.06 ... 0.6 min
0.25 ... 2.5 s 0.25 ... 2.5 min
2 ... 20 s 2 ... 20 min
16 ... 160 s 16 ... 160 min
Infinitely variable, on relative scale

Time setting: Recovery time

tw 50 / 100: ≤ 100 ms / ≤ 25 ms

Repeat accuracy: $\pm 1\%$ of the full scale

Temperature influence: $\leq 0.15\%$ / K

Input

Nominal voltage U_N: AC/DC 24 ... 60 V and AC/DC 60 ... 240 V

Voltage range: 0.8 ... 1.1 U_N

Nominal frequency: 50 / 60 Hz

Frequency range: $\pm 20\%$

Residual current: ≤ 3 mA during the operating time

Voltage drop: ≤ 3.5 V after the operating time has ended

Output

Type of output: Thyristor

Load current (min.): 10 mA

Load current (max.): 0.8 A (20°C)

Load current reduction: 10 mA

Max. overload: 25 A max. 10 ms

50 A max. 1 ms

Dielectric strength: 1 400 V max. 100 μ s

Thermal current I_{th}: 0.8 A

Technical Data

General Data

Nominal operating mode:	Continuous operation	
Temperature range:	- 20 ... + 60°C	
EMC		
Electrostatic discharge:	8 kV (air)	IEC/EN 61000-4-2
Fast transient:	1 kV	IEC/EN 61000-4-4
Surge voltages		
Between		
wires for power supply:	2 kV	IEC/EN 61000-4-5
Between wire and ground:	4 kV	IEC/EN 61000-4-5
Interference suppression:	Limit value class B	EN 55011
Degree of protection		
Housing:	IP 40	IEC/EN 60529
Terminals:	IP 20	IEC/EN 60529
Housing:	Thermoplastic with V0 behaviour according to UL subject 94	
Vibration resistance:	Amplitude 0.35 mm, frequency 10 ... 55 Hz IEC/EN 60068-2-6	
Climate resistance:	20 / 060 / 04 IEC/EN 60068-1	
Wire connection:	2 x 2.5 mm ² solid or 2 x 1.5 mm ² stranded ferruled DIN 46228-1/-2/-3/-4	
Wire fixing:	Terminals with self-lifting clamping piece IEC/EN 60999-1	
Mounting:	DIN rail IEC/EN 60715	
Weight:	58 g	

Dimensions

Width x height x depth: 17.5 x 89 x 58 mm

Standard Type

IK 8808 0.06 ... 160 s		
Article number:	0023180	stock item
• Nominal voltage U_N :	AC/DC 24 ... 240 V	
• Time range:	0.06 ... 160 s	
• Width:	17.5 mm	

Connection Example

