

Monitoring Technique

VARIMETER

Underload Monitor (cos φ Monitor)

IK 9065, SK 9065, SL 9065CT

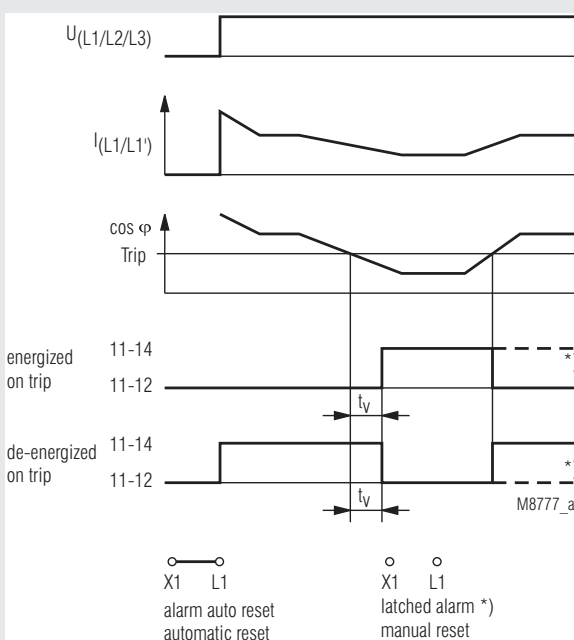
Translation
of the original instructions



0246036

- According to EN 60255-1
- Detection of underload (cos φ)
- Without auxiliary supply
- Current up to 8 A
- Motors up to 5 A nominal current can be connected directly
- Higher currents via current transformer
- SL 9065CT with integrated current transformer for currents up to 100 A
- Adjustable response value
- Automatic reset (Alarm auto reset)
- Adjustable operate delay up to 100 s
- De-energized on trip
- For single and 3-phase loads e.g. motors
- Independent of phase sequence
- 1 changeover contact
- LED indicator voltage supply and alarm
- DIN rail or screw mounting
- Devices available in 2 enclosure versions:
 IK 9065: Depth 58 mm, with terminals at the bottom for installation systems and industrial distribution systems according to DIN 43880
 SK 9065, SL 9065CT: Depth 98 mm, with terminals at the top for cabinets with mounting plate and cable duct
- IK 9065, SK 9065 width 17.5 mm
 SL 9065CT width 35 mm

Function Diagram



IK/SK 9065/100: as IK/SK 9065 but:

- Programmable for
 - Automatic reset or manual reset (latched alarm)
 - Energized or de-energized on trip
- With reset button
- Remote reset

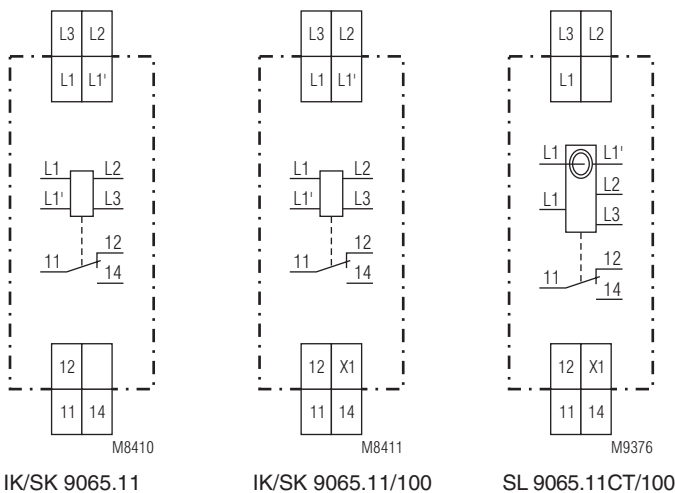
Approvals and Markings



Applications

- Monitors underload and no load on squirrel cage motors e.g.
- Fan monitoring (broken belt)
 - Filter monitoring (blocked filter)
 - Pump monitoring (blocked valve, dry running)
 - General cos phi monitoring
 - For industrial and railway applications

Circuit Diagrams



Function

The underload monitor IK/SK/SL 9065 measures the phase shift between voltage and current. The phase angle changes with changing load. This measuring method is suitable to monitor asynchronous motors on underload and no load independent of motor size. In some cases the cos φ does not change much with load change on the motor, e.g.:

- Small load change on oversized motor
- Single phase chaded-pole and collector motors

For these cases we recommend the use of our motor load monitor BH 9097.

If a cos phi value lower then the adjusted value is detected the output relay changes into alarm state after the adjusted time delay t_v and the red LED "Alarm" lights up. If the underload monitor is in auto reset mode it changes back to normal state without delay when the cos phi rises above the adjusted cos phi value.

Indicators

- Green LED: On, when supply connected to L1-L2
- Red LED: On, when underload detected (Alarm)

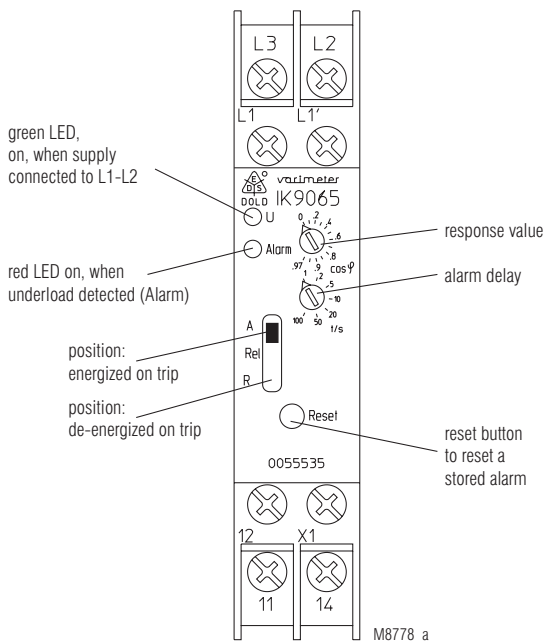
Connection Terminals

Terminal designation	Signal description
L1, L2, L3	Connection for 3-phase systems
L1', L1 ¹⁾	Current measuring circuit, connection for external current transformer possible ¹⁾
X1, L1 ²⁾	Control input (manual reset / auto-Reset) ²⁾ X1/L1 not bridged: manual reset X1/L1 bridged: auto-reset
11, 12, 14	Changeover contact

¹⁾ Only at IK/SK 9065

²⁾ Only at IK/SK/SL 9065.11/100

Setting



Notes

Monitoring of single phase load is also possible. The terminal L3 is not connected in this case (see connection diagram). The underload monitor must be ordered for the right voltage e.g. a unit for 3 AC 230 V for a single phase 230 V application.

When the underload monitor IK/SK 9065 is connected to the supply voltage L1-L2-L3 and no current is flowing in the current path L1-L1' the unit changes also in alarm state.

The current path L1-L1' allows to connect currents up to 8 A directly at IK/SK 9065. When connecting asynchronous motors not only the nominal current is important, but also the much higher starting current. The overload characteristic of the current input allows to connect motors with nominal current up to 4..5 A depending on the starting conditions. This is at 3 AC 400 V a motor load of 1.5 ... 2.2 kW.

It is important that the motor is connected to L1' and **not** to L1. On wrong connection the phase angle will be measured in a wrong way and the underload monitor IK/SK 9065 will not work.

For higher currents over 8 A (nominal motor current over 5 A) external current transformers can be used (see Connection Examples). Also here the current transformers have to be connected with the right polarity. All standard current transformers of class 3 or better can be used (1 A or 5 A types). The integrated current transformer at SL 9065CT allows to connect currents up to 100 A directly.

The variant IK/SK/SL 9065.11/100 allows the following settings:

Bridge

X1-L1

- —• Automatic restart (Alarm auto reset)
- • Manual restart (Latched Alarm), reset with built in push button, external push button on X1-L1 or by disconnecting the supply voltage.

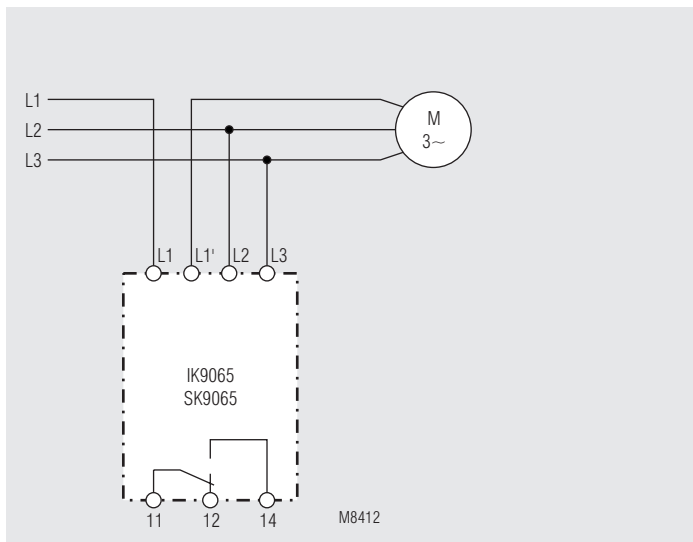
Switch "REL" on front side

- Position "A": Energized on trip (relay energizes on underload-alarm)
- Position "R": De-energized on trip (relay de-energizes on under load-alarm)

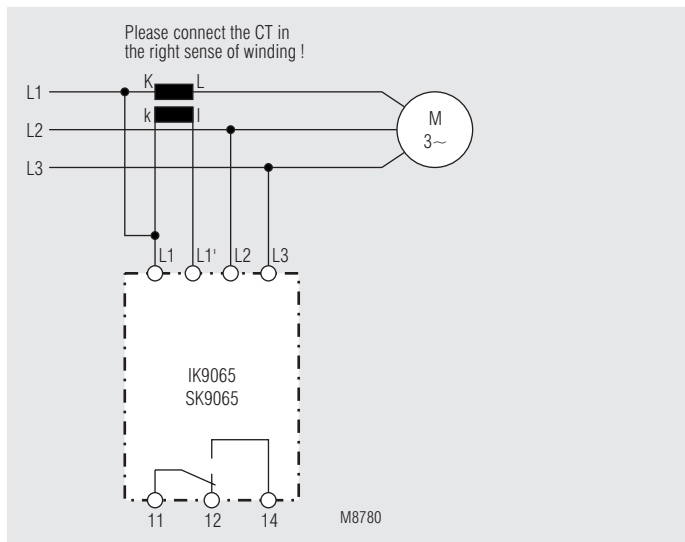
Technical Data	
Input	
Nominal voltage U_N:	(= Motor voltage) 3 AC (or AC) 110, 230, 400 V
Voltage range:	0.8 ... 1.1 U_N
Nominal frequency of U_N:	45 ... 65 Hz
Nominal consumption (L1-L2):	Max. approx. 11 VA
Current Path	
Current range	
IK 9065, SK 9065:	0.1 ... 2 A 0.5 ... 8 A*
Internal resistance:	Approx. 30 m Ω Approx. 10 m Ω
Consumption:	Max. 0.14 VA Max. 0.7 VA
	* (for higher currents use external current transformer see connection diagram)
Short time overload:	2.5 x I_{max} for 2 s, 5 x I_{max} for 0.5 s
Suitable current transformers:	1 A or 5 A types, class 3, with necessary load capacity
Current range SL 9065CT:	5 ... 100 A via integrated current transformer in the base (max. wire-diameter: 10 mm)
Setting range $\cos \varphi$:	0 ... 0.97 infinite variable
Operate delay t_v:	1 ... 100 s infinite variable
Output	
Contacts:	1 changeover contact
Thermal current I_{th}:	4 A
Switching capacity	
To AC 15	
NO contact:	3 A / AC 230 V IEC/EN 60947-5-1
NC contact:	1 A / AC 230 V IEC/EN 60947-5-1
To DC 13 at 0.1 Hz:	1 A / DC 24 V IEC/EN 60947-5-1
Electrical life	
To AC 15 at 1 A, AC 230 V:	1.5 x 10 ⁵ switching cycles IEC/EC 60947-5-1
Short-circuit strength	
max. fuse rating:	4 A gG / gL IEC/EN 60947-5-1
Mechanical life:	30 x 10 ⁶ switching cycles
General Data	
Operating mode:	Continuous operation
Temperature range	
Operation	- 25 ... + 60°C
Storage:	- 25 ... + 60°C
Altitude:	< 2000 m
Clearance and creepage distances	
Rated impulse voltage / pollution degree:	4 kV / 2 IEC 60664-1
EMC	
Electrostatic discharge:	8 kV (air) IEC/EN 61000-4-2
HF-irradiation:	
80 MHz ... 1 GHz:	20 V / m IEC/EN 61000-4-3
1.4 GHz ... 2 GHz:	20 V / m IEC/EN 61000-4-3
2 GHz ... 2.5 GHz:	10 V / m IEC/EN 61000-4-3
Fast transients:	4 kV IEC/EN 61000-4-4
Surge voltages	
Between	
wires for power supply:	2 kV IEC/EN 61000-4-5
HF-wire guided:	10 V IEC/EN 61000-4-6
Interference suppression:	Limit value class A*) *) The device is designed for the usage under industrial conditions (Class A, EN 55011). When connected to a low voltage public system (Class B, EN 55011) radio interference can be generated. To avoid this, appropriate measures have to be taken.
Degree of protection	
Housing:	IP 40 IEC/EN 60529
Terminals:	IP 20 IEC/EN 60529
Housing:	Thermoplastic with V0 behaviour according to UL subject 94
Vibration resistance:	Amplitude 0.35 mm frequency 10 ... 55 Hz IEC/EN 60068-2-6
Climate resistance:	40 / 060 / 04 IEC/EN 60068-1
Terminal designation:	EN 50005
Wire connection:	
Cross section:	2 x 2.5 mm ² solid or 1 x 1.5 mm ² stranded wire with sleeve DIN 46228-1/-2/-3/-4
Stripping length:	10 mm

Technical Data	
Wire fixing:	Flat terminals with self-lifting clamping piece IEC/EN 60999-1 0.8 Nm
Fixing torque:	
Mounting:	DIN rail mounting (IEC/EN 60715) or screw mounting M4, 90 mm hole pattern, with additional clip available as accessory
Weight:	
IK 9065:	Approx 65 g
SK 9065:	Approx 84 g
SL 9065CT:	Approx. 195 g
Dimensions	
Width x height x depth:	
IK 9065:	17.5 x 90 x 58 mm
SK 9065:	17.5 x 90 x 98 mm
SL 9065CT:	35 x 90 x 98 mm
Classification to DIN EN 50155 for IK 9065 and SK 9065	
Vibration and shock resistance:	Category 1, Class B IEC/EN 61373
Ambient temperature:	T1, T2 compliant T3 and TX with operational limitations
Protective coating of the PCB:	No
Standard Types	
IK 9065.11 3 AC 400 V 0.4 ... 8 A 1 ... 100 s	
Article number:	0055534
• Output:	1 changeover contact
• De-energized on trip:	
• Nominal voltage U_N :	3 AC 400 V
• Current range:	0.4 ... 8 A
• Operate delay:	1 ... 100 s
• Width:	17.5 mm
SK 9065.11 3 AC 400 V 0.4 ... 8 A 1 ... 100 s	
Article number:	0055816
• Output:	1 changeover contact
• De-energized on trip:	
• Nominal voltage U_N :	3 AC 400 V
• Current range:	0.4 ... 8 A
• Operate delay:	1 ... 100 s
• Width:	17.5 mm
SL 9065.11CT/100 3 AC 400 V 5 ... 100 A 1 ... 100 s	
Article number:	0059410
• Output:	1 changeover contact
• Nominal voltage U_N :	3 AC 400 V
• Current range:	5 ... 100 A
• Operate delay:	1 ... 100 s
• Programmable for: Manual reset with built in or external push button, energized or de-energized on trip, selection via switch on the front	
• Width:	35 mm
Variants	
IK 9065.11/100, SK 9065.11/100:	Programmable for: manual reset with built in or external push button, energized or de-energized on trip, selection via switch on the front
Ordering example for variants	
IK 9065 .11 / _ _ _ 3 AC 400 V 0.4 ... 8 A 1 ... 100 s	
	Operate delay
	Current range
	Nominal voltage
	Variant, if required
	Contacts
	Type
Accessories	
ET 4086-0-2:	Additional clip for screw mounting Article number: 0046578

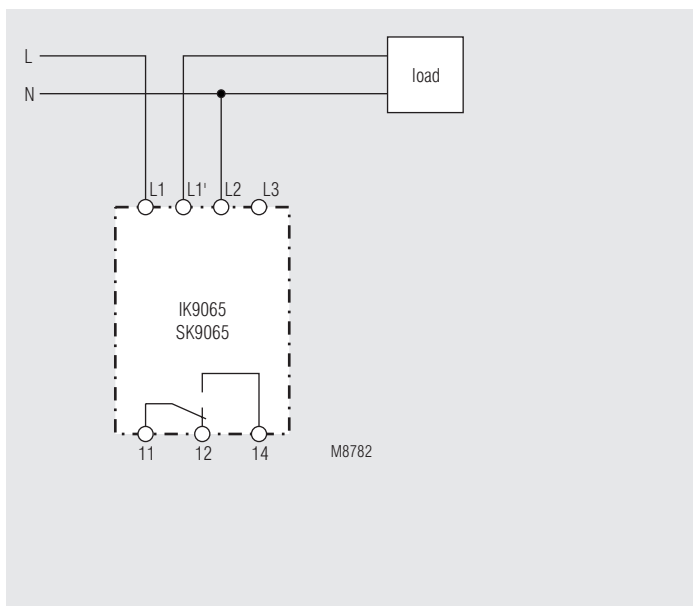
Connection Examples



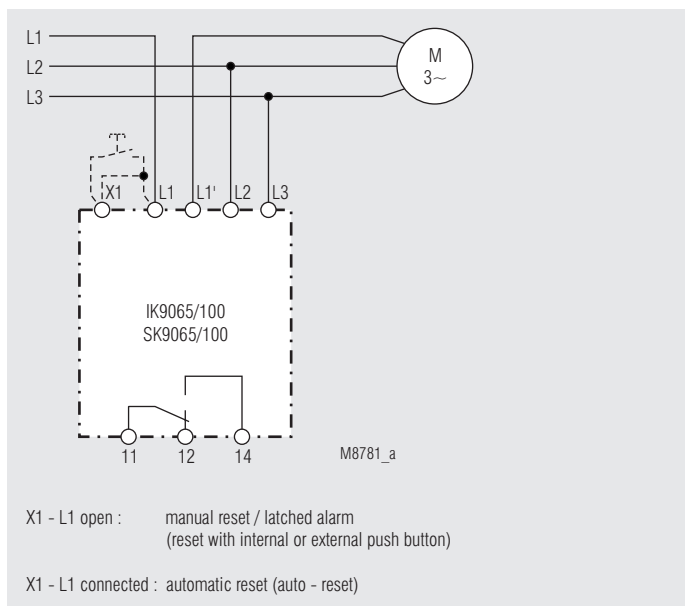
IK 9065.11 with 3-phase load



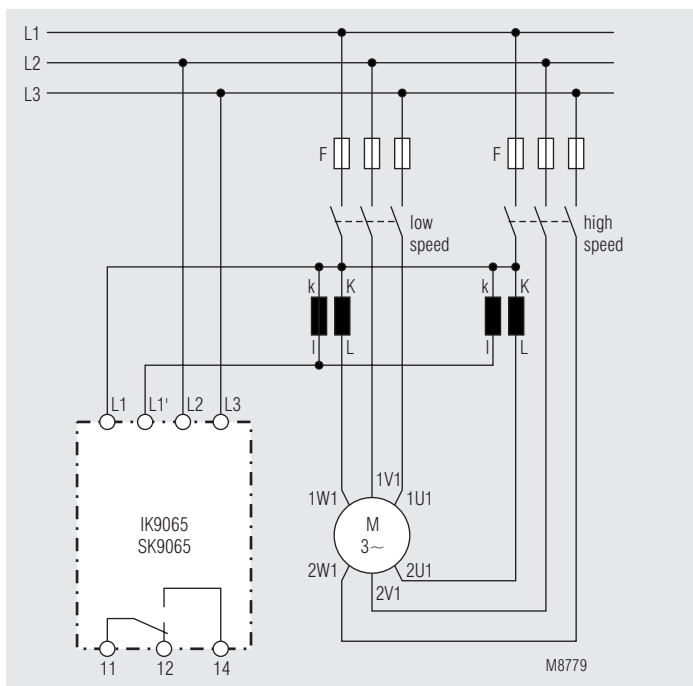
IK/SK 9065.11 with 3-phase load and external current transformer



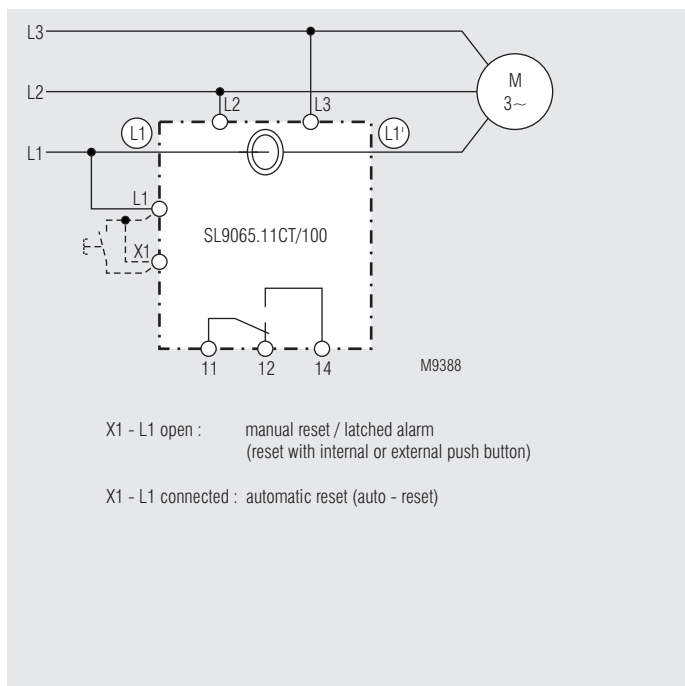
IK 9065.11 with single-phase load



IK/SK 9065.11/100 with 3-phase load



IK/SK 9065.11 for motors with separate windings



SL 9065.11CT/100