



Foot switch with metal enclosure

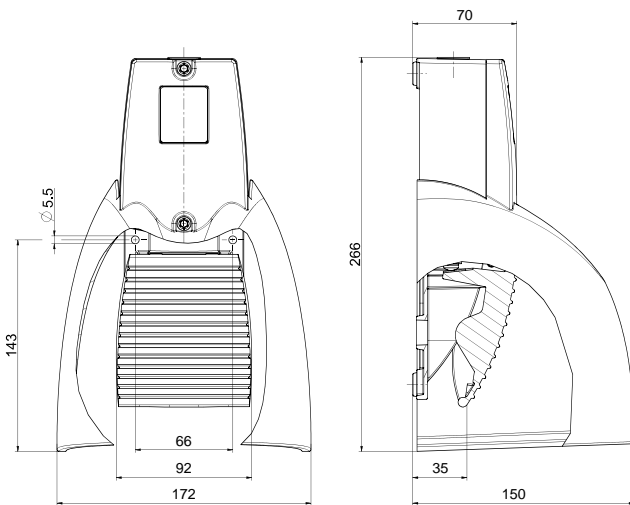
GFSI 1Ö/1S

Material number: 1053499 (Material number old: 53201001)


Features/Options:

- Metal enclosure
- With protective shield
- Ergonomic pedal design and wide opening in protective shield
- Wiring compartment

Dimensions



Technical data

| | |
|---|---|
| Applied standards | EN 60947-5-1 |
| Enclosure | aluminium die-cast, powder-coated |
| Pedal | aluminium die-cast, powder-coated |
| Protective shield | aluminium die-cast, powder-coated |
| Degree of protection | IP 65 to IEC/EN 60529 |
| B_{10d} (10 % load) | 2 million |
| T_M | max. 20 years |
| Connection | screw connection terminals |
| Cable cross-section | max. 2.5 mm ² (incl. conductor ferrules) |
| Cable entry | 1 x M20 x 1.5 |
| Contact material | silver |
| Switching system | slow action, positive break NC contacts \ominus |
| Switching elements | 1 NC/1 NO contact, type Zb |
| Switch insert | 1 x ES 60 GF |
| Utilisation category | AC-15 |
| Rated operating current/voltage I_e/U_e | 16 A/400 VAC |
| Short-circuit protection | 16 A gG/gN fuse |
| Ambient temperature | -25 °C ... +80 °C |
| Mechanical life | > 1 million operations |
| Approvals |  |
| Weight | 1500 g |

Errors and omissions excepted.

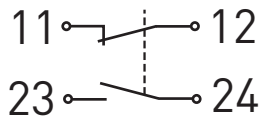


Foot switch with metal enclosure

GFSI 1Ö/1S

Material number: 1053499 (Material number old: 53201001)

Contact diagram



Switching diagram

