



## Ex safety switch with separate actuator

Ex ES 98 ST-02

Material number: 1304203 (Material number old: 9105533001)

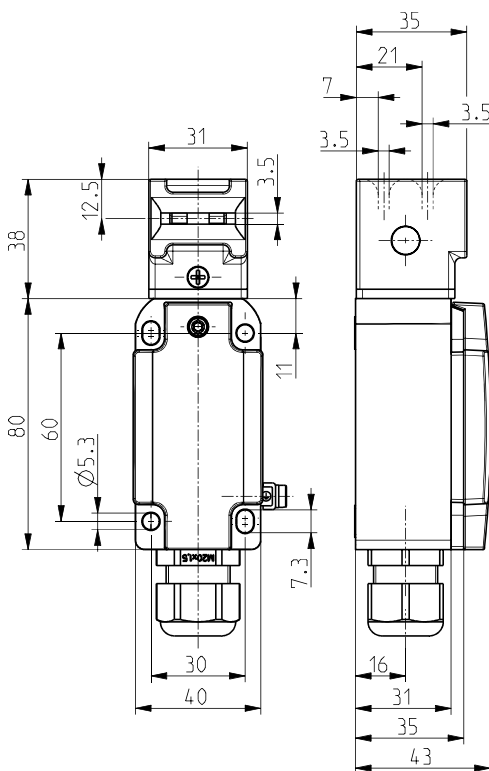
### Features/Options:

- Ex zone 1 and 21
- Metal enclosure
- Design to EN 50041

### Notes

- The actuator is not included in the delivery of the switches

### Dimensions



### Technical data

Applied standards	EN 60947-5-1, EN 60079-0, EN 60079-1, EN 60079-7, EN 60079-31, EN ISO 13849-1, EN ISO 14119
Enclosure	aluminium die-cast, corrosion-resistant, powder-coated, anthracite grey, similar to RAL 7016
Cover	stainless steel 1.4401, powder-coated, signal yellow, similar to RAL 1003
Sealing	silicone
Switch type	type 2
Coding level	low coding
Degree of protection	IP 66 to IEC/EN 60529
B <sub>10d</sub> (10 % load)	2 million
T <sub>M</sub>	max. 20 years
Switch insert	1 x Ex 95
Contact material	silver
Switching system	slow action, positive break NC contacts $\ominus$
Switching elements	2 NC contacts, type Zb
Connection	screw connection terminals
Cable cross-section	min. 0.2 mm <sup>2</sup> / AWG 24, max. 1.5 mm <sup>2</sup> / AWG 16
Cable entry	1 x M20 x 1.5 (incl. 1 cable gland)
Clamping range	7 ... 13 mm
Rated impulse withstand voltage U <sub>imp</sub>	4 kV
Rated insulation voltage U <sub>i</sub>	250 V

Errors and omissions excepted.



## Ex safety switch with separate actuator

Ex ES 98 ST-02

Material number: 1304203 (Material number old: 9105533001)

### Technical data

Conventional thermal current 6 A

$I_{the}$

Rated operating current/  
voltage  $I_e/U_e$  6 A/250 VAC; 0.25 A/230 VDC

Utilisation category AC-15; DC-13

Short-circuit protection 6 A gG/gN fuse

Positive break travel 8.3 mm

Ambient temperature T6: -20 °C ... +40 °C;  
T5: -20 °C ... +60 °C

Mechanical life > 1 million operations

Operation cycles max. 1800/h

Impact energy max. 7 J

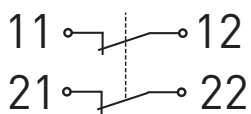
Ex marking II 2G Ex db eb IIC T6/T5 Gb,  
 II 2D Ex tb IIIC  
T80°C/T95°C Db  
IECEX Ex db eb IIC T6/T5 Gb,  
Ex tb IIIC T80°C/T95°C Db

Approvals DMT 01 ATEX E 178  
IECEX BVS 07.0014

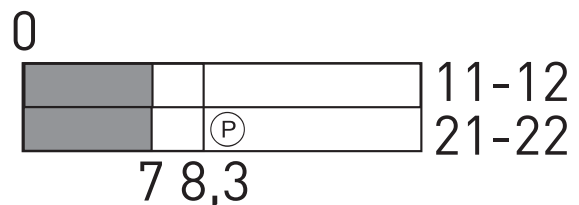


Weight 337 g

### Contact diagram



### Switching diagram



Positive break travel/angle

Note  
Inserted position of actuator = 0 in switching diagram.  
The actuator is not included with the switches.