



Safety sensor Extreme RC Si 56 2Ö - 10m - IP69 Extreme Material number: 1482260

Features/Options:

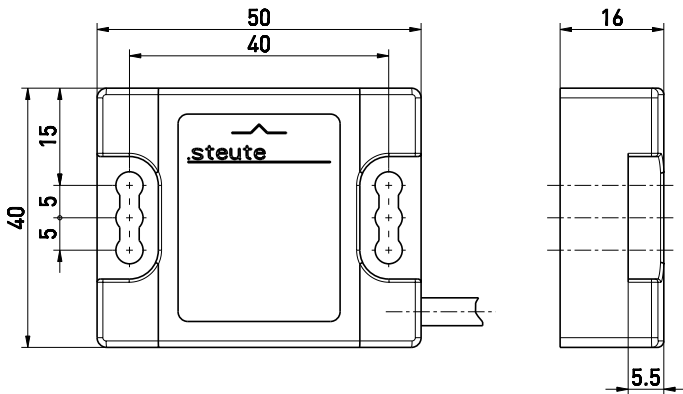
- Version with higher degree of protection IP 69: suitable for cleaning with 80 °C hot water at 100 bar pressure at a distance of 100 mm from different directions
- Thermoplastic enclosure
- Long life
- Reed contacts, coded

- Actuation from front
- Switching distance up to 6 mm
- With pre-wired cable
- Attention: Please state required international approvals with your order!

Notes

- The actuator is not included in the delivery of the switches

Dimensions



Technical data

| | |
|---|---|
| Applied standards | EN 60947-5-1, EN 60947-5-3, EN ISO 13849-1, EN ISO 14119 |
| Enclosure | thermoplastic, glass-fibre reinforced, impact resistant, self-extinguishing UL 94 V-0 |
| Sensor type | type 4 interlocking device |
| Coding level | low coding |
| Degree of protection | IP 66, IP 67, IP 69 (IEC/EN 60529) / IP 69K (ISO 20653) |
| Safety-relevant data: | |
| EN ISO 13849-1 | Performance Level PL e |
| Category | 4 |
| B_{10d} (10 % load) | 2 million |
| T_M | max. 20 years |
| $MTTF_d$ | > 100 years |
| DC/DC _{avg} | > 99 % |
| Note | The safety-related data are only valid in combination with a safety module, e.g. SRM 21 RT2 (mat. no. 1179203). |
| Switching system | reed contacts |
| Switching elements | 2 NC contacts |
| Connection | pre-wired cable 4 x AWG 24 |
| Cable length | 10 m |
| Switching voltage | max. 30 VDC |
| Rated operating current/voltage I_e/U_e | max. 157 mA / 24 VDC |

Errors and omissions excepted.



Safety sensor Extreme RC Si 56 2Ö - 10m - IP69 Extreme Material number: 1482260

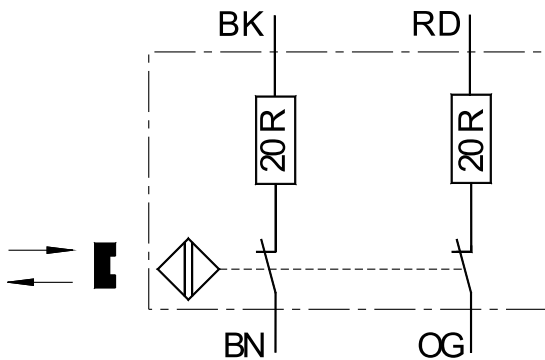
Technical data

| | |
|--|------------------------|
| Utilisation category | DC-12 |
| Voltage drop at I_e | max. 3.15 V |
| Short-circuit current I_k | max. 750 mA for 50 ms |
| Switching frequency | max. 5 Hz |
| Assured switching distance »OFF« s_{ar} | > 23 mm |
| Repeatability | ± 0.5 mm |
| Hysteresis | min. 23 mm |
| Degree of pollution | 3 |
| Safety class | II |
| Ambient temperature | -20 °C ... +85 °C |
| Mechanical life | > 1 million operations |

Approvals



Contact diagram



Axial misalignment

