



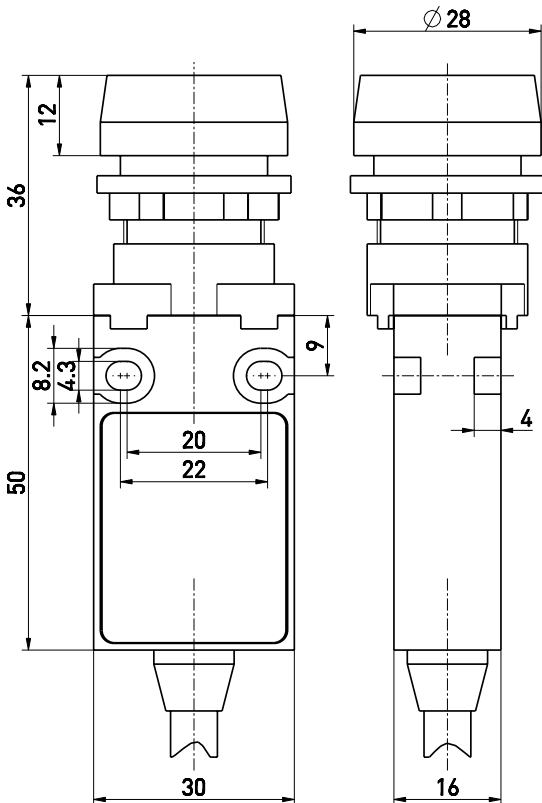
Command device ES 14 RT 1Ö/1S-1m

Material number: 1051617 (Material number old: 14055001)

Features/Options:

- Thermoplastic enclosure
- Double insulated
- Mounting hole diameter 22.5 mm
- Mounting details to EN 50047
- With pre-wired cable
- Actuator: Push button RT

Dimensions



Technical data

| | |
|---|---|
| Applied standards | EN 60947-5-1, EN ISO 13849-1 |
| Enclosure | thermoplastic, glass-fibre reinforced, impact resistant, self-extinguishing UL 94 V-0 |
| Degree of protection | IP 65 to IEC/EN 60529 |
| Contact material | silver |
| Switching system | slow action, positive break NC contacts \ominus |
| Switching elements | 1 NC/1 NO contact, type Zb |
| Connection | pre-wired cable H05VV-F |
| Cable cross-section | 4 x 0.75 mm ² |
| Cable length | 1 m |
| Rated impulse withstand voltage U_{imp} | 4 kV |
| Rated insulation voltage U_i | 250 V |
| Conventional thermal current I_{the} | 6 A |
| Rated operating current/voltage I_g/U_g | 6 A/250 VAC; 0.25 A/230 VDC |
| Utilisation category | AC-15; DC-13 |
| Short-circuit protection | 6 A gG/gN fuse |
| Ambient temperature | -20 °C ... +75 °C |
| Mechanical life | > 30 000 operations |
| Operation cycles | max. 1800/h |
| Contact opening | max. 2 x 4 mm |
| Approvals | |
| Weight | 120 g |

Errors and omissions excepted.

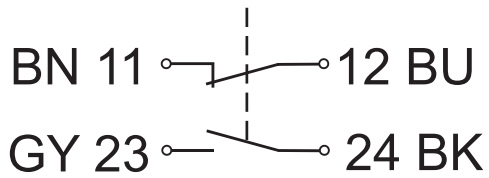


Command device

ES 14 RT 1Ö/1S-1m

Material number: 1051617 (Material number old: 14055001)

Contact diagram



Switching diagram



Cut out dimensions

