



## Ex command device

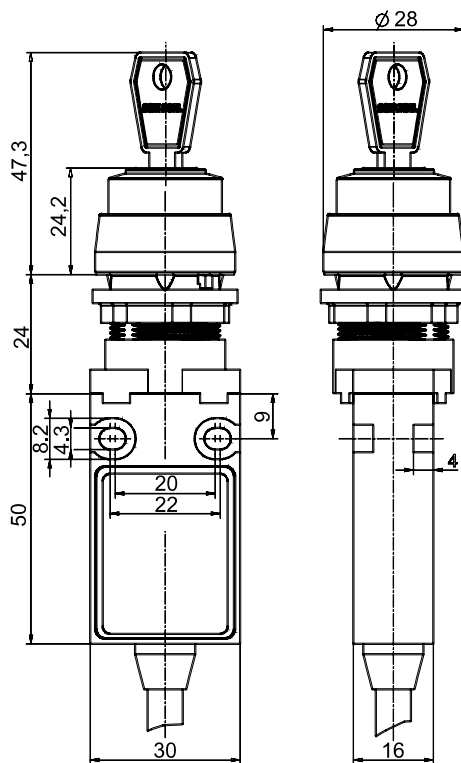
Ex 14 RSSA 24 1Ö/1S - 1m

Material number: 1045522 (Material number old: 14058308)

### Features/Options:

- Ex zone 1 and 21
- Double insulated
- Mounting hole diameter 22.5 mm
- With pre-wired cable
- Actuator: Key switch RSSA with safety cylinder lock (locks against turning)
- Standard version always has same key number
- Attention: Please state required international approvals with your order!

### Dimensions



### Technical data

Applied standards	EN 60947-5-1, EN ISO 13849-1, EN 60079-0, EN 60079-1, EN 60079-31
Enclosure	thermoplastic, glass-fibre reinforced, impact resistant, self-extinguishing UL 94 V-0
Degree of protection	IP 65 to IEC/EN 60529
Contact material	silver
Switching system	slow action, positive break NC contacts $\ominus$
Switching elements	1 NC/1 NO contact, type Zb
Connection	pre-wired cable H05VV-F
Cable cross-section	4 x 0.75 mm <sup>2</sup>
Cable length	1 m
Rated impulse withstand voltage $U_{imp}$	4 kV
Rated insulation voltage $U_i$	250 V
Conventional thermal current $I_{the}$	T6: 6 A, T5: 3 A
Rated operating current/voltage $I_e/U_e$	6 A/250 VAC; 0.25 A/230 VDC
Utilisation category	AC-15; DC-13
Short-circuit protection	6 A gG/gN fuse
Ambient temperature	T6: -20 °C ... +65 °C, T5: -20 °C ... +75 °C, +90 °C with max. 3 A
Mechanical life	> 1 million operations
Operation cycles	max. 1800/h

Errors and omissions excepted.



Ex command device

Ex 14 RSSA 24 1Ö/1S - 1m

Material number: 1045522 (Material number old: 14058308)

## Technical data

### Ex marking

⊕ II 2G Ex db IIC T6/T5 Gb,  
⊕ II 2D Ex tb IIIC  
T80 °C/T95 °C Db  
IECEX Ex db IIC T6/T5 Gb,  
Ex tb IIIC T80 °C/T95 °C Db

### Approvals

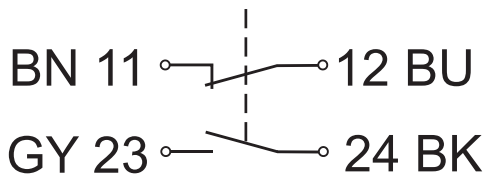
PTB 03 ATEX 1070 X  
IECEX PTB 06.0098X



### Weight

152 g

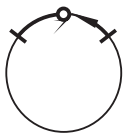
## Contact diagram



## Switching diagram

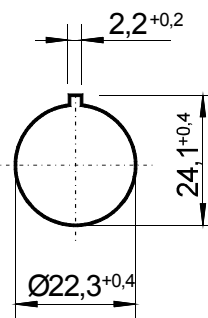


## Switching position RSSA 24



I - Switching position  
↔ - Spring return  
O - Position for key removal

## Cut out dimensions



Errors and omissions excepted.