

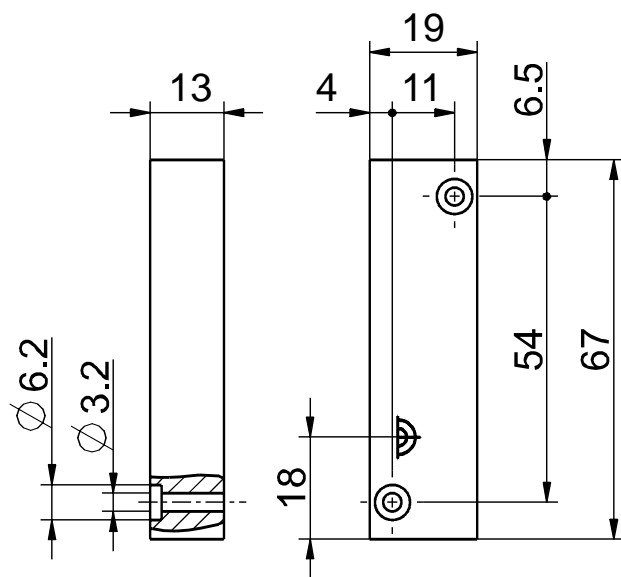
Accessories for magnetic sensors Actuating magnet M 2580-Niro Extreme

Material number: 1189177 (Material number old: 05.00.8228)

Features/Options:

- Temperature resistant from -40 °C to +140 °C
- High degree of protection IP 68
- Stainless steel enclosure
- Actuation from side
- Switching distance up to 30 mm

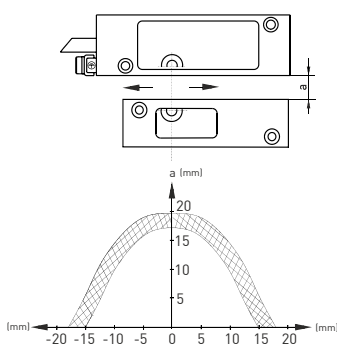
Dimensions



Technical data

Weight 124 g

Axial misalignment



Errors and omissions excepted.