



Ex position switch

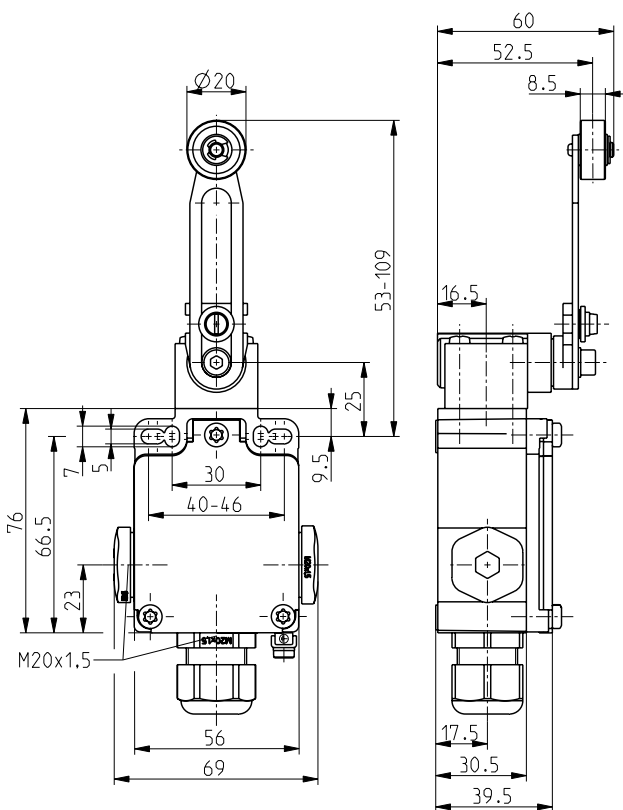
Ex 355 4V7H 2Ö

Material number: 1222698 (Material number old: 92529301)

Features/Options:

- Ex zone 1 and 21
- Metal enclosure
- Mounting and switching details to EN 50041
- Wiring compartment
- 3 cable entries
- Actuator: Adjustable rocking lever 4V7H
- Actuating speed max. 2.5 m/s with a vertical actuating angle of 30°
- Wear-resistant plastic roller
- Lever angle adjustable in 10° steps
- Actuator can be repositioned by 4 x 90°
- Attention: Please state required international approvals with your order!

Dimensions



Technical data

Applied standards	EN 60947-5-1, EN 60079-0, EN 60079-1, EN 60079-7, EN 60079-31
Enclosure	zinc die-cast, enamel finish
Degree of protection	IP 67 to IEC/EN 60529
Switch insert	1 x Ex 95
Contact material	silver
Switching system	slow action
Switching elements	2 NC contacts, type Zb
Connection	screw connection terminals
Cable cross-section	max. 1.5 mm ² (incl. conductor ferrules)
Cable entry	3 x M20 x 1.5 (incl. 1 cable gland)
Clamping range	7 ... 12 mm
Rated impulse withstand voltage U_{imp}	4 kV
Rated insulation voltage U_i	250 V
Conventional thermal current I_{the}	6 A
Rated operating current/voltage I_e/U_e	6 A/250 VAC; 0.25 A/230 VDC
Utilisation category	AC-15; DC-13
Short-circuit protection	6 A gG/gN fuse
Ambient temperature	T6: -20 °C ... +40 °C; T5: -20 °C ... +60 °C
Mechanical life	> 1 million operations
Operation cycles	max. 1800/h

Errors and omissions excepted.



Ex position switch

Ex 355 4V7H 2Ö

Material number: 1222698 (Material number old: 92529301)

Technical data

Repeat accuracy of switching points ± 0.1 mm

Contact opening max. 2 x 3.5 mm

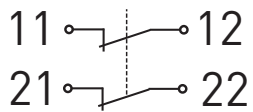
Impact energy max. 7 J

Ex marking II 2G Ex db e IIC T6/T5 Gb,
 II 2D Ex tb IIIC
T80 °C/T95 °C Db
IECEX Ex db e IIC T6/T5 Gb,
Ex tb IIIC T80 °C/T95 °C Db

Approvals BVS 04 ATEX E 126
IECEX BVS 07.0013

Weight 544 g

Contact diagram



Switching diagram

