



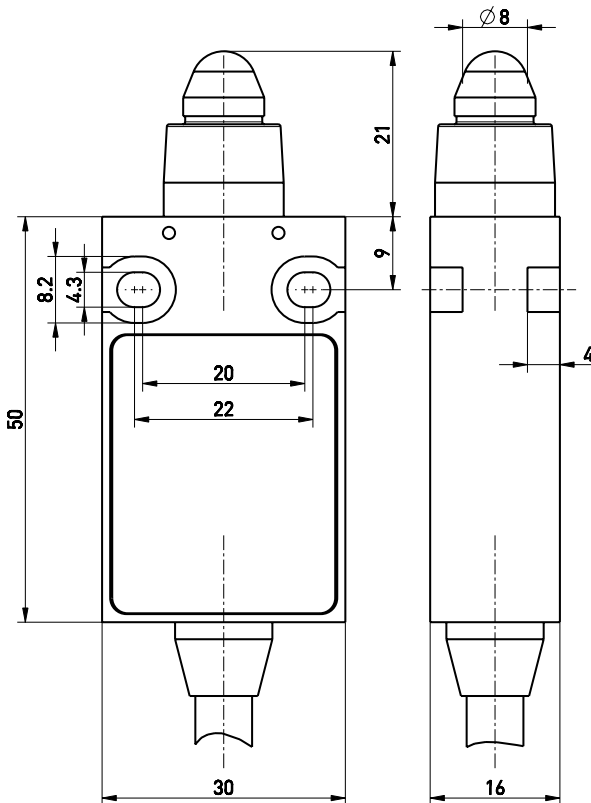
Position switch Extreme with safety function ES 14 WKU 1Ö/1S - 2m -40°C IP66 Extreme

Material number: 1189397 (Material number old: 14004908)

Features/Options:

- Cold-resistant down to -40 °C
- High degree of protection IP 66
- Thermoplastic enclosure
- Double insulated
- Slow action \ominus , change-over contact with double break
- Mounting details to EN 50047
- Suitable for in-line mounting
- With pre-wired cable
- Actuator: Ball plunger with collar WKU
- Actuating speed max. 0.5 m/s with a vertical actuating angle of 20°
- Vertical actuation or actuation from side possible
- Actuator with captive stainless steel ball
- Exact repeatability of switching point
- Silicone collar for protection against penetration of dirt
- Attention: Please state required international approvals with your order!

Dimensions



Technical data

Applied standards	EN ISO 13849-1, EN 60947-5-1, EN ISO 14119
Enclosure	thermoplastic, glass-fibre reinforced, impact resistant, self-extinguishing UL 94 V-0
Switch type	type 1
Coding level	no coding
Degree of protection	IP 66 to IEC/EN 60529
B _{10d} (10 % load)	2 million
T _M	max. 20 years
Contact material	silver
Switching system	slow action, positive break NC contacts \ominus
Switching elements	1 NC/1 NO contact, type Zb
Connection	cable 4 x AWG 20
Cable cross-section	4 x 0.56 mm ²
Cable length	2 m
Rated impulse withstand voltage U _{imp}	4 kV
Rated insulation voltage U _i	250 V
Conventional thermal current I _{the}	6 A
Rated operating current/voltage I _e /U _e	6 A/250 VAC; 0.25 A/230 VDC
Utilisation category	AC-15; DC-13
Short-circuit protection	6 A gG/gN fuse

Errors and omissions excepted.



Position switch Extreme with safety function ES 14 WKU 1Ö/1S - 2m -40°C IP66 Extreme

Material number: 1189397 (Material number old: 14004908)

Technical data

Ambient temperature -40 °C ... +75 °C

Mechanical life > 1 million operations

Operation cycles max. 1800/h

Repeat accuracy of switching points ± 0.1 mm

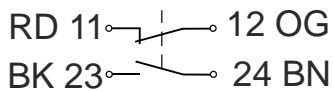
Contact opening max. 2 x 4 mm

Approvals

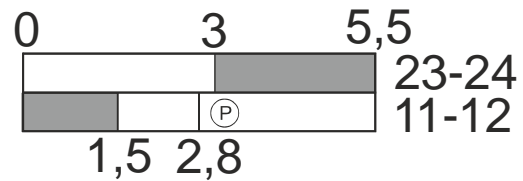


Weight 180 g

Contact diagram



Switching diagram



Ⓟ Positive break travel/angle