



Emergency pull-wire switch ZS 73 2Ö WVD / 295-390 N

Material number: 1048249 (Material number old: 73542502)

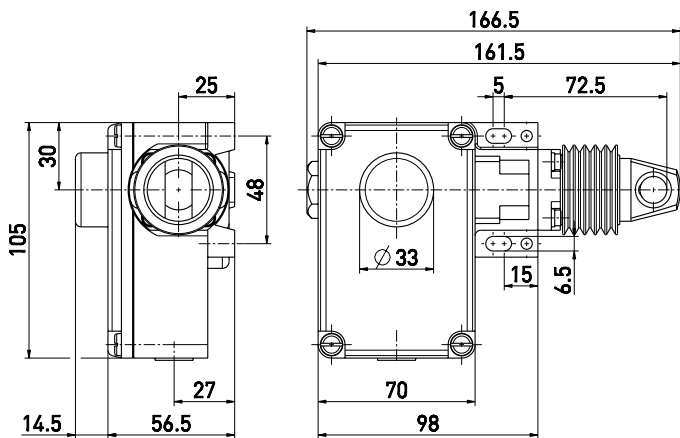
Features/Options:

- Metal enclosure
- 2 contacts
- Wire length up to 130 m
- Adjustable spring force: 295-390 N

Notes

- At 5 m distance intermediate wire supports are required. One wire thimble is provided.

Dimensions



Technical data

Applied standards	EN 60947-5-1, EN 60947-5-5, EN ISO 13850, EN ISO 13849-1
Enclosure	aluminium die-cast, enamel finish
Cover	thermoplastic, glass-fibre reinforced, impact resistant, self-extinguishing UL 94 V-0
Degree of protection	IP 65 to IEC/EN 60529
B_{10d} (10 % load)	100 000
T_M	max. 20 years
Contact material	silver
Switching elements	2 NC contacts, type Bb
Switching system	snap action, positive break NC contacts \ominus
Connection	screw connection terminals
Cable cross-section	min. 0.5 mm ² , max. 2.5 mm ² (incl. conductor ferrules)
Stripping length	6 mm
Cable entry	1 x M16 x 1.5
Rated impulse withstand voltage U_{imp}	6 kV
Rated insulation voltage U_i	400 V
Conventional thermal current I_{the}	6 A
Utilisation category	AC-15
Rated operating current/voltage I_e/U_e	6 A/400 VAC
Short-circuit protection	6 A gG/gN fuse
Ambient temperature	-25 °C ... +70 °C

Errors and omissions excepted.



Emergency pull-wire switch ZS 73 2Ö WVD / 295-390 N

Material number: 1048249 (Material number old: 73542502)

Technical data

Mechanical life > 100 000 operations

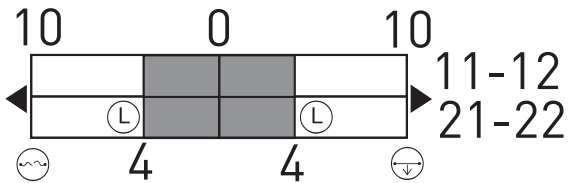
Max. wire length 130 m

Approvals



Weight 680 g

Switching diagram



- Ⓛ Latching point
- Ⓜ Wire breakage detection
- Ⓟ Wire pull detection

Contact diagram

