



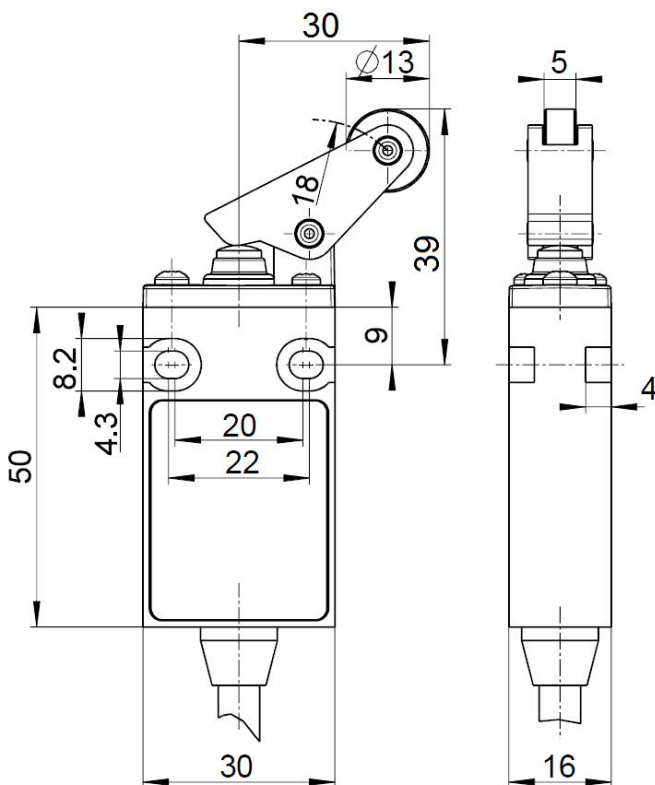
## Ex position switch with safety function Ex 14 WPH 2Ö - 5m / -40°C Material number: 1455843

### Features/Options:

- Cold-resistant down to -40 °C
- Ex zone 1 and 21
- Thermoplastic enclosure
- Double insulated
- Mounting details to EN 50047
- Suitable for in-line mounting
- With pre-wired cable
- Actuator: Parallel roller lever with collar WPH
- Actuating speed max. 0.5 m/s with a vertical actuating angle of 30°

- Wear-resistant plastic roller
- Exact repeatability of switching point
- Watertight collar for protection against penetration of dirt
- Suitable for outdoor use in saltwater atmospheres for at least 8200 h at 1 metre above sea level, as proven in typical weather conditions over the course of one year on the island of Helgoland in the North Sea
- Attention: Please state required international approvals with your order!

### Dimensions



### Technical data


Applied standards	EN 60947-5-1, EN 60079-0, EN 60079-1, EN 60079-31, EN ISO 13849-1, EN ISO 14119
Enclosure	thermoplastic, glass-fibre reinforced, impact resistant, self-extinguishing UL 94 V-0
Switch type	type 1
Coding level	no coding
Degree of protection	IP 65 (EN 60079-0 + IEC/EN 60529) IP 66 (IEC/EN 60529)
B <sub>10d</sub> (10 % load)	2 million
T <sub>M</sub>	max. 20 years
Contact material	silver
Switching system	slow action
Switching elements	2 NC contacts, type Zb
Connection	cable BETAflam 145 flex
Cable cross-section	4 x 0.75 mm <sup>2</sup> (incl. conductor ferrules)
Cable length	5 m
Rated impulse withstand voltage U <sub>imp</sub>	4 kV
Rated insulation voltage U <sub>i</sub>	250 V
Conventional thermal current I <sub>the</sub>	T6: 6 A, T5: 3 A
Rated operating current/voltage I <sub>e</sub> /U <sub>e</sub>	6 A/250 VAC; 0.25 A/230 VDC
Utilisation category	AC-15; DC-13

Errors and omissions excepted.

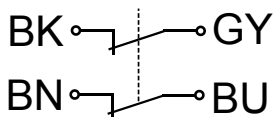


## Ex position switch with safety function Ex 14 WPH 2Ö - 5m / -40°C Material number: 1455843

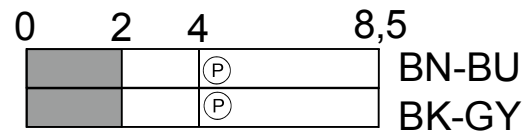
### Technical data

Short-circuit protection	6 A gG/gN fuse
Ambient temperature	T6: -40 °C ... +65 °C, T5: -40 °C ... +75 °C, +90 °C with max. 3 A
Mechanical life	> 1 million operations
Operation cycles	max. 1800/h
Repeat accuracy of switching points	± 0.1 mm
Contact opening	max. 2 x 4 mm
Ex marking	⊕ II 2G Ex db IIC T6/T5 Gb, ⊕ II 2D Ex tb IIIC T80 °C/T95 °C Db IECEX Ex db IIC T6/T5 Gb, Ex tb IIIC T80 °C/T95 °C Db
Approvals	PTB 03 ATEX 1070 X IECEX PTB 06.0098X  
Weight	420 g

### Contact diagram



### Switching diagram



Ⓟ Positive break travel/angle