



## Ex safety switch with separate actuator

### Ex AZ 16 2Ö/1S-30N-3D

Material number: 1210560 (Material number old: 16953308)

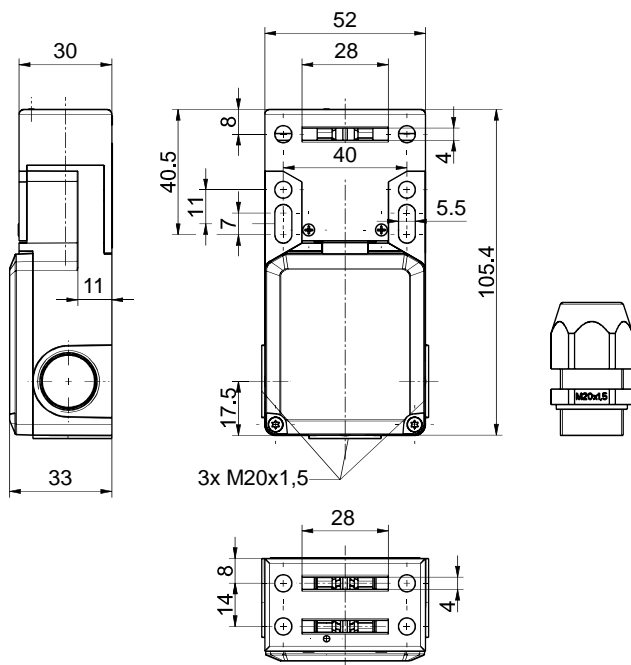
#### Features/Options:

- Ex zone 22
- Thermoplastic enclosure
- Multiple coding
- Slow action  $\ominus$ , 2 NC/1 NO contact with double break
- Wiring compartment
- 30 N latching force

#### Notes

- The actuator is not included in the delivery of the switches
- 1 Ex"e" cable gland M20x1.5 included in delivery

#### Dimensions



#### Technical data

|   |  |
|---|--|
| Applied standards                         | EN 60947-5-1, EN 60079-0, EN 60079-31, EN ISO 13849-1, EN ISO 14119                          |
| Enclosure                                 | thermoplastic, glass-fibre reinforced, impact resistant, self-extinguishing UL 94 V-0        |
| Switch type                               | type 2   |
| Coding level                              | low coding   |
| Tightening torque                         | cover screws: 0.5 ... 0.6 Nm<br>switch inserts M3 screw<br>connection terminals: min. 0.6 Nm |
| Degree of protection                      | IP 67 to IEC/EN 60529  |
| $B_{10d}$ (10 % load)                     | 2 million  |
| $T_M$                                     | max. 20 years  |
| Contact material                          | silver   |
| Switching system                          | slow action, positive break NC contacts $\ominus$  |
| Switching elements                        | 2 NC/1 NO contact, type Zb   |
| Connection                                | screw connection terminals   |
| Cable entry                               | 3 x M20 x 1.5 (press-out blanks in enclosure)  |
| Clamping range                            | 7 ... 12 mm  |
| Rated impulse withstand voltage $U_{imp}$ | 4 kV   |
| Rated insulation voltage $U_i$            | 250 V  |
| Conventional thermal current $I_{the}$    | T6: 6 A, T5: 3 A   |
| Rated operating current/voltage $I_e/U_e$ | 3 A/250 VAC; 0.25 A/230 VDC  |

Errors and omissions excepted.



## Ex safety switch with separate actuator

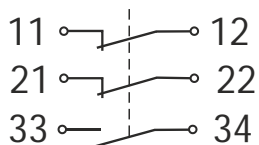
Ex AZ 16 2Ö/1S-30N-3D

Material number: 1210560 (Material number old: 16953308)

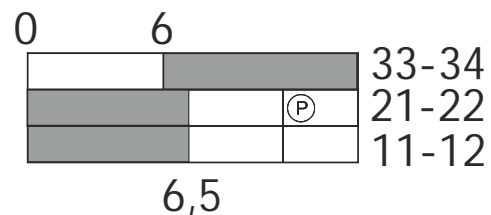
### Technical data

|                          |   |
|--------------------------|---|
| Utilisation category     | AC-15; DC-13  |
| Short-circuit protection | 3 A gG/gN fuse  |
| Positive break travel    | 9.5 mm  |
| Ambient temperature      | T80 °C: -20 °C ... +55 °C;<br>T95 °C: -20 °C ... +70 °C |
| Mechanical life          | > 1 million operations                                  |
| Impact energy            | max. 7 J  |
| Ex marking               | ⊕ II 3D Ex tc IIIC T80°C/T95°C<br>Dc X                  |
| Weight                   | 180 g   |

### Contact diagram



### Switching diagram



Ⓟ Positive break travel/angle

#### Note

Inserted position of actuator = 0 in switching diagram.  
The actuator is not included with the switches.