



Inductive sensor Extreme IS M30b 10CBBCB PNP NO 2m Extreme Material number: 1202200

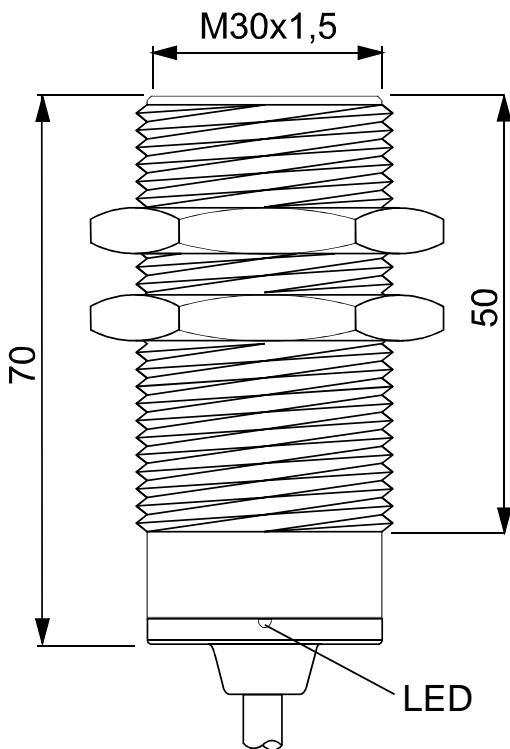
Features/Options:

- Heat-resistant up to +120 °C
- High degree of protection IP 68
- Stainless steel enclosure
- Flush mounting
- Long life, no mechanical wear
- Suitable for the food processing industry
- Insensitive to soiling
- With LED
- M30 x 1.5 thread
- With pre-wired cable
- Attention: Please state required international approvals with your order!

Notes

- 2 mounting nuts are included in delivery

Dimensions



Technical data

Applied standards	EN 60947-5-2
Enclosure	stainless steel 1.4305
Front cap	polycarbonate
Degree of protection	IP 68 to IEC/EN 60529
Connection	cable PUR
Cable diameter	4.6 mm
Cable cross-section	3 x 0.35 mm ²
Cable length	2 m
Switching elements	1 NO contact, PNP, 3-wire
Rated switching distance s_n	10 mm
Correction factors	Steel (Fe360) = 1; Stainless steel approx. 0.7; Brass approx. 0.5; Aluminium approx. 0.4; Copper approx. 0.4
Rated operating voltage range U_B	10 ... 30 VDC
Residual ripple	≤ 10 %
Switching current	max. 0.2 A
Voltage drop at I_e	max. 1.8 V
Current absorption	< 15 mA at 24 VDC
Hysteresis	approx. 10 %
Switching frequency	300 Hz
Repeatability	≤ 3 %

Errors and omissions excepted.



Inductive sensor Extreme IS M30b 10CBBCB PNP NO 2m Extreme Material number: 1202200

Technical data

Protection circuit

Inductive interference protection,
protection against polarity
reversal, short-circuit and
overload proof

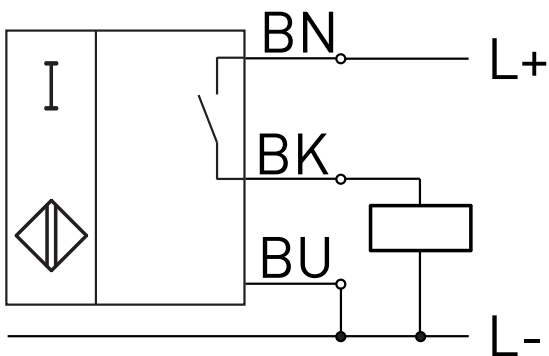
Ambient temperature

0 °C ... +120 °C

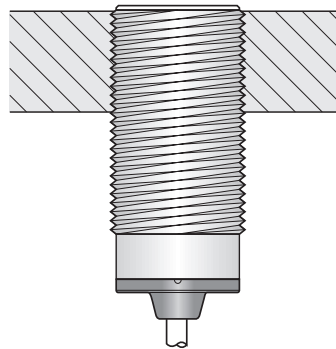
Weight

182 g

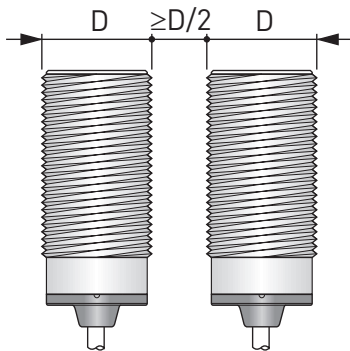
Contact diagram



Flush mounting



Side by side mounting



Errors and omissions excepted.