



Ex position switch

Ex 12 FR - 5m

Material number: 1044842 (Material number old: 12751910)

Features/Options:

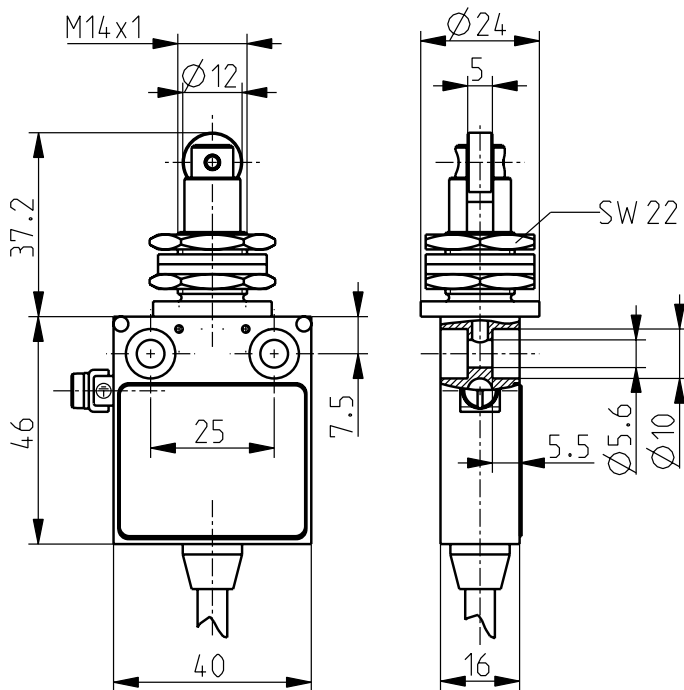
- Ex zone 1 and 21
- Metal enclosure, hard-coated
- Snap action, change-over contact with single break
- With pre-wired cable
- Actuator: Roller plunger for front mounting FR

- Actuating speed max. 0.5 m/s with a vertical actuating angle of 25°
- Metal roller
- Attention: Please state required international approvals with your order!

Notes

- Actuator can be repositioned by 90° on request

Dimensions



Technical data

| | |
|---|---|
| Applied standards | EN 60079-0, EN 60079-1, EN 60079-31, EN 60947-5-1 |
| Enclosure | aluminium die-cast, hard-coated |
| Degree of protection | IP 65 to IEC/EN 60529 |
| Contact material | silver |
| Switching system | snap action |
| Switching elements | 1 change-over contact with single break, type C |
| Connection | pre-wired cable H05VV-F |
| Cable cross-section | 4 x 0.75 mm ² (incl. conductor ferrules) |
| Cable length | 5 m |
| Rated impulse withstand voltage U_{imp} | 4 kV |
| Rated insulation voltage U_i | 250 V |
| Conventional thermal current I_{the} | 5 A |
| Utilisation category | AC-15; DC-13 |
| Rated operating current/voltage I_e/U_e | 5 A/250 VAC; 0.16 A/230 VDC |
| Short-circuit protection | 5 A gG/gN fuse |
| Ambient temperature | -20 °C ... +60 °C |
| Mechanical life | > 1 million operations |
| Operation cycles | max. 1800/h |
| Repeat accuracy of switching points | ± 0.1 mm |
| Impact energy | max. 7 J |

Errors and omissions excepted.



Ex position switch

Ex 12 FR - 5m

Material number: 1044842 (Material number old: 12751910)

Technical data

Ex marking

⊕ II 2G Ex db IIC T6 Gb
⊕ II 2D Ex tb IIIC T80 °C Db
IECEX Ex db IIC T6 Gb
Ex tb IIIC T80 °C Db

Approvals

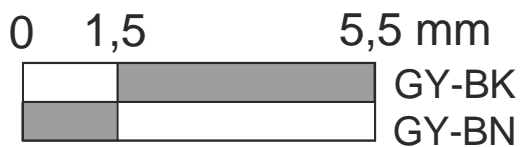
PTB 03 ATEX 1067 X
IECEX PTB 11.0089X



Weight

510 g

Switching diagram



Contact diagram

