

## Accessories for magnetic sensors

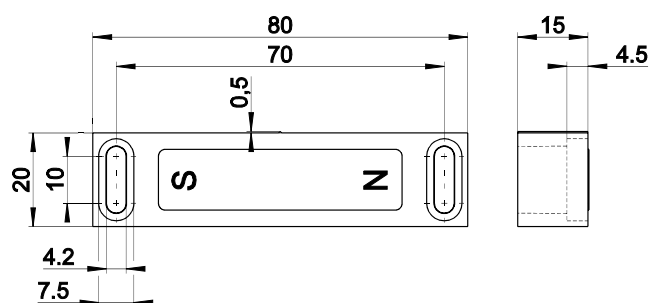
### Actuating magnet M 500

Material number: 1042611 (Material number old: 05.00.8203)

#### Features/Options:

- Thermoplastic enclosure glass-fibre reinforced polyamid
- Magnet: AlNiCo
- Temperature resistant from -40 °C to +80 °C

#### Dimensions



#### Technical data

Weight	52 g
--------	------