



Ex position switch

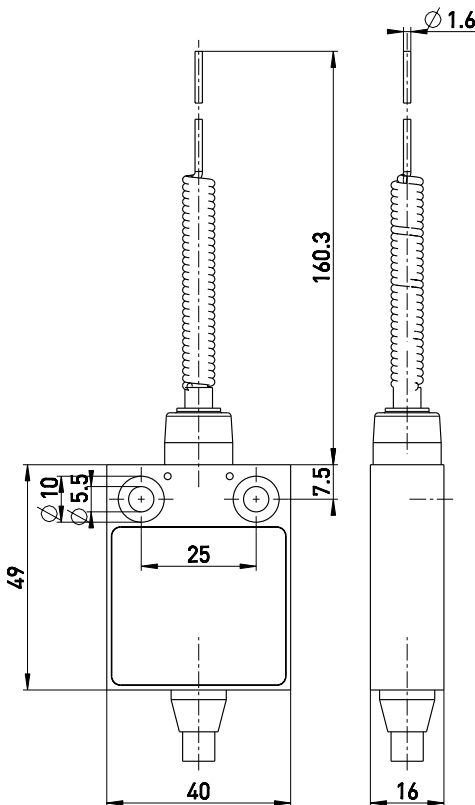
Ex 13 TL 1Ö/1S - 2m

Material number: 1189165 (Material number old: 13032305)

Features/Options:

- Ex zone 1 and 21
- Thermoplastic enclosure
- Double insulated
- Suitable for in-line mounting
- With pre-wired cable
- Actuator: Long spring rod TL
- Spring rod can be actuated from any direction
- Spring rod can be shortened 30 mm in actuating area
- Exact linear actuation not necessary
- Elasticity of the spring allows for deflection above the max. switching angle of 18°
- Attention: Please state required international approvals with your order!

Dimensions



Technical data

| | |
|---|---|
| Applied standards | EN 60947-5-1, EN 60079-0, EN 60079-1, EN 60079-31 |
| Enclosure | thermoplastic, glass-fibre reinforced, impact resistant, self-extinguishing UL 94 V-0 |
| Degree of protection | IP 65 (EN 60079-0 + IEC/EN 60529) IP 67 (IEC/EN 60529) |
| Contact material | silver |
| Switching system | slow action |
| Switching elements | 1 NC/1 NO contact, type Zb |
| Connection | pre-wired cable H05VV-F |
| Cable cross-section | 4 x 0.75 mm ² (incl. conductor ferrules) |
| Cable length | 2 m |
| Rated impulse withstand voltage U_{imp} | 4 kV |
| Rated insulation voltage U_i | 250 V |
| Conventional thermal current I_{the} | T6: 6 A, T5: 3 A |
| Rated operating current/voltage I_e/U_e | 6 A/250 VAC; 0.25 A/230 VDC |
| Utilisation category | AC-15; DC-13 |
| Short-circuit protection | 6 A gG/gN fuse |
| Ambient temperature | T6: -20 °C ... +65 °C, T5: -20 °C ... +75 °C, +90 °C with max. 3 A |
| Mechanical life | > 1 million operations |
| Operation cycles | max. 1800/h |
| Repeat accuracy of switching points | ± 0.1 mm |

Errors and omissions excepted.



Ex position switch

Ex 13 TL 1Ö/1S - 2m

Material number: 1189165 (Material number old: 13032305)

Technical data

Contact opening max. 2 x 4 mm

Impact energy max. 7 J

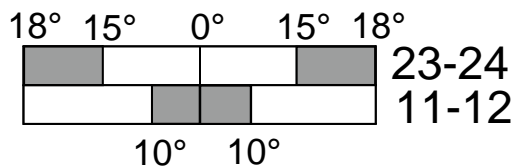
Ex marking
⊕ II 2G Ex db IIC T6/T5 Gb,
⊕ II 2D Ex tb IIIC
T80 °C/T95 °C Db
IECEX Ex db IIC T6/T5 Gb,
Ex tb IIIC T80 °C/T95 °C Db

Approvals
PTB 03 ATEX 1068 X
IECEX PTB 06.0053X



Weight 208 g

Switching diagram



Contact diagram

