

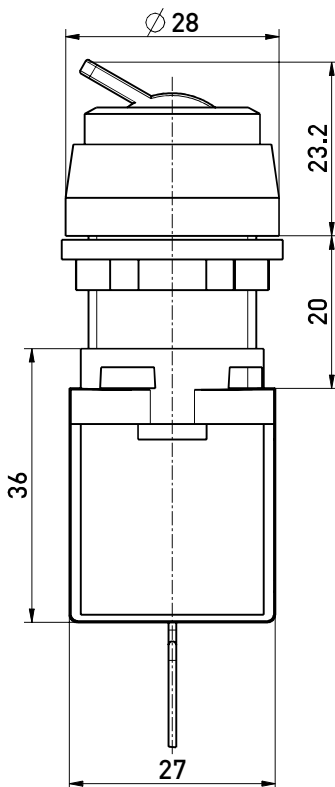


## Wireless command device RF BF 74 RK SW868 Material number: 1329194

### Features/Options:

- sWave® wireless technology
- No power supply, no wiring and pipe laying required
- Easy programming of receiver
- Output signal can be individually configured at the receiver
- Actuator: Toggle head RK

### Dimensions



### Technical data

Applied standards	EN 60947-5-1, EN 61000-6-2, EN 61000-6-3, EN 61000-4-2, EN 301 489-1, EN 301 489-3, EN 300 220-1, EN 300 220-2
Enclosure	thermoplastic, glass-fibre reinforced, impact resistant, self-extinguishing UL 94 V-0
Tightening torque	cover screws: approx. 1.6 Nm
Degree of protection	IP 65 to IEC/EN 60529, use only with enclosure for command devices
Protocol	sWave®
Frequency	868.3 MHz (Europe, China)
Transmission power	< 25 mW
Data rate	66 kbps
Channel bandwidth	480 kHz
Voltage supply	electrodynamic energy generator
Ambient temperature	-20 °C ... +65 °C
Operation cycles	max. 12000 telegrams with repetitions/h
Wireless range	max. 450 m outdoors, max. 40 m indoors
Mechanical life	800 000 operations
Actuating time	min. 80 ms
Actuating speed V	min. 0.03 m/s; max. 0.25 m/s
Note	no status signal available
Wireless approvals	Europe: RED 2014/53/EU
Weight	60 g

Errors and omissions excepted.