



## Position switch Extreme with safety function

### ES 41 R 2Ö-STECK -30°C Extreme

Material number: 1053506 (Material number old: 41509002)

#### Features/Options:

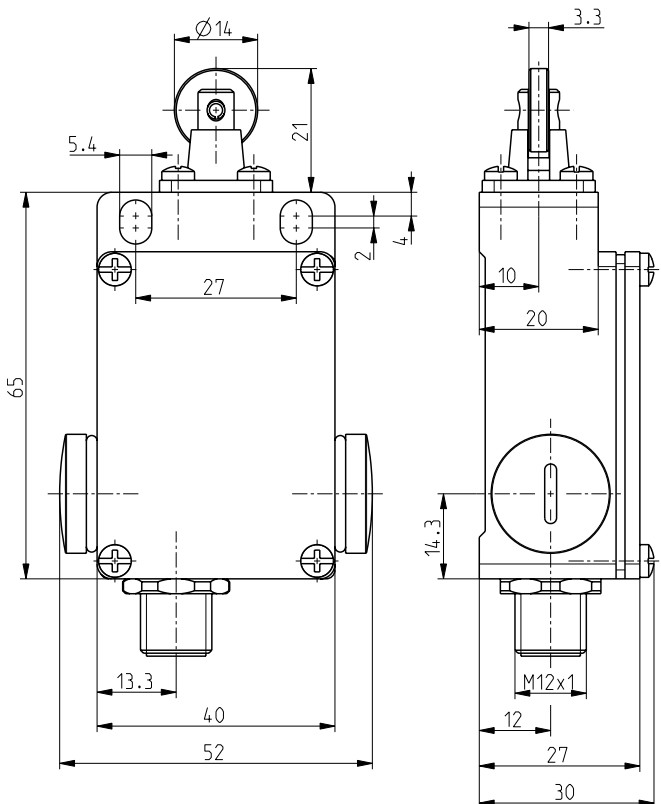
- Metal enclosure
- 2 NC contacts
- Cold-resistant down to -30 °C
- Locking screws, brass nickel-plated
- Actuator: Roller plunger R

- Actuating speed max. 0.5 m/s with a vertical actuating angle of 30°
- Actuator can be repositioned by 4 x 90°
- Attention: Please state required international approvals with your order!

#### Notes

- When used as safety switch, secure the enclosure against slipping with appropriate means, e.g. pinning.

#### Dimensions



#### Technical data

Applied standards	EN ISO 13849-1, EN 60947-5-1, EN ISO 14119
Enclosure	aluminium die-cast, powder-coated
Cover	steel, powder-coated
Switch type	type 1
Coding level	no coding
Degree of protection	IP 65 to IEC/EN 60529
B <sub>10d</sub> (10 % load)	2 million
T <sub>M</sub>	max. 20 years
Contact material	silver
Switching system	slow action, positive break NC contacts $\ominus$
Switching elements	2 NC contacts, type Zb
Connection	plug-in-connector M12 x 1, 4-poles
Rated impulse withstand voltage U <sub>imp</sub>	4 kV
Rated insulation voltage U <sub>i</sub>	400 V
Conventional thermal current I <sub>the</sub>	6 A
Utilisation category	AC-15
Rated operating current/voltage I <sub>e</sub> /U <sub>e</sub>	6 A/400 VAC
Short-circuit protection	6 A gG/gN fuse
Mechanical life	> 1 million operations
Operation cycles	max. 1800/h

Errors and omissions excepted.



## Position switch Extreme with safety function

### ES 41 R 2Ö-STECK -30°C Extreme

Material number: 1053506 (Material number old: 41509002)

#### Technical data

Ambient temperature -30 °C ... +80 °C

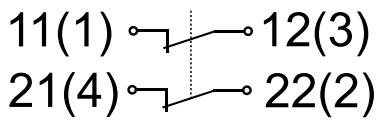
Approvals

Cable cross-section max. 2.5 mm<sup>2</sup> (incl. conductor ferrules)

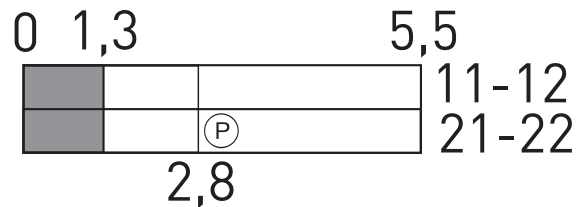
Cable entry 3 x M16 x 1.5

Weight 160 g

#### Contact diagram



#### Switching diagram



Ⓟ Positive break travel/angle

#### Plug-in configuration

