

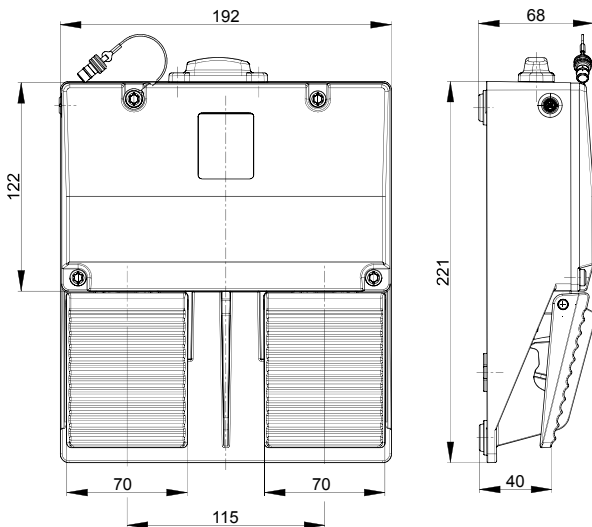


## Safe wireless system sWave®-safe RF GF 2 2S/2S SW2.4-safe / RF RxT SW2.4-safe (SET) Material number: 1329080

### Features/Options:

- Set consisting of: Foot switch 2-pedal without protective shield  
+ charging device  
+ wireless receiver [RF RxT SW2.4-safe](#)  
+ magnetic base antenna  
+ pairing cable
- Compact: A wireless receiver that can be parameterised including evaluation electronics and antenna system
- License-free: Operation in license-free 2.4 GHz ISM frequency band
- Interference-free: Interference-free parallel operation with other systems at a high system density is possible
- Noise immune: High EMC interference resistance in an industrial environment
- Left pedal A: 2 NO contacts  
Right Pedal B: 2 NO contacts

### Dimensions



### Technical data

|                              |  |
|------------------------------|--|
| RF GF 2 SW2.4-safe           |  |
| Applied standards            | EN 60947-5-1, EN 61000-6-2, EN 62061, EN 61326-3-1, EN ISO 13849-1, EN 61784-3, EN 300 328, EN 301 489-1/-17, EN 60950-1, EN 50371 |
| Enclosure                    | aluminium die-cast, powder-coated  |
| Degree of protection         | IP 67 to IEC/EN 60529  |
| Protocol                     | sWave®   |
| Frequency                    | 2.4 - 2.4835 GHz   |
| Transmission power           | 3.15 mW  |
| Voltage supply               | rechargeable lithium ion battery   |
| Nominal voltage              | 3.7 V  |
| Nominal capacity             | 2.25 Ah  |
| Charging device              | power supply 7.5 V/800 mA; 1.8 m cable with connector (EURO, UK, USA/JAPAN, AUS, IEC)  |
| Battery life                 | after 300 charging cycles 80 % battery capacity  |
| Safety-relevant data:        |  |
| EN ISO 13849-1               | Performance Level PL d   |
| Category                     | 2  |
| B <sub>10d</sub> (10 % load) | 20 million   |
| T <sub>M</sub>               | max. 20 years  |
| MTTF <sub>d electronic</sub> | 216 years  |
| MTTF <sub>d</sub>            | 119 years  |

Errors and omissions excepted.

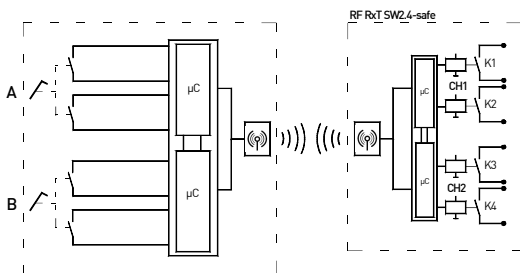


Safe wireless system sWave®-safe  
 RF GF 2 2S/2S SW2.4-safe / RF RxT SW2.4-safe (SET)  
 Material number: 1329080

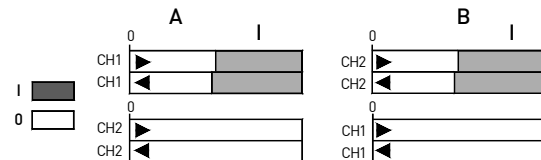
## Technical data

|                                  |   |
|----------------------------------|---|
| DC/DC <sub>avg</sub>             | 84 %  |
| PFH <sub>d</sub>                 | 5.28 x 10 <sup>-7</sup> 1/h   |
| n <sub>op</sub>                  | 378000  |
| Transmission interval            | < 50 ms   |
| Synchronisation after sleep mode | max. 8 s  |
| Current consumption              | active: approx. 35 mA<br>sniff mode: approx. 12 mA<br>sleep mode: approx. 1 mA                      |
| Ambient temperature charging     | 0 °C ... +40 °C   |
| Ambient temperature              | -20 °C ... +55 °C   |
| Storage and shipping temperature | -20 °C ... +60 °C   |
| Mechanical life                  | > 1 million operations  |
| Wireless range                   | max. 15 m indoors   |
| Wireless approvals               | Europe: RED 2014/53/EU<br>USA: FCC-Id. T7V-BC06<br>Canada: IC 216Q-BC06<br><br>Japan:  ARIB STD-T66 |
| Approvals                        | TÜV Nord<br><br>  |
| Technical data RF RxT SW2.4-safe | see separate data sheet of <a href="#">/ RF RxT SW2.4-safe &gt;</a>                                 |
| Weight                           | 2815 g  |

## Contact diagram



## Switching diagram



Errors and omissions excepted.