



Position switch

E 12 DS - 5m

Material number: 1051778 (Material number old: 12729006)

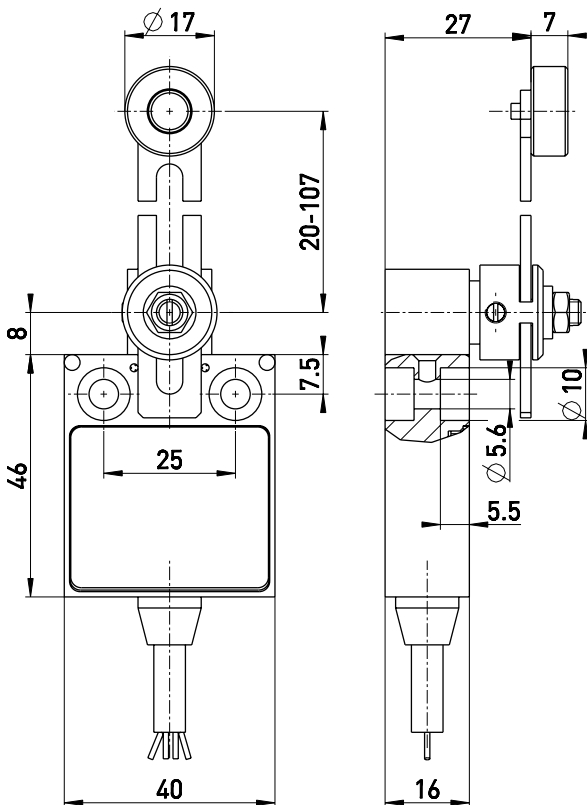
Features/Options:

- Metal enclosure
- Snap action, change-over contact with single break
- Suitable for in-line mounting
- With pre-wired cable
- Actuator: Adjustable rocking lever DS
- Actuating speed max. 0.5 m/s with a vertical actuating angle of 45°
- Wear-resistant plastic roller
- Lever can be repositioned in 10° steps clockwise or counter-clockwise

Notes

- Actuator can be repositioned by 180° on request
- With metal roller available on request

Dimensions



Technical data

| | |
|---|---|
| Applied standards | EN 60947-5-1 |
| Enclosure | aluminium die-cast, powder-coated |
| Degree of protection | IP 67 to IEC/EN 60529 |
| Contact material | silver |
| Switching elements | 1 change-over contact with single break, type C |
| Switching system | snap action |
| Connection | pre-wired cable H05VV-F |
| Cable cross-section | 4 x 0.75 mm ² |
| Cable length | 5 m |
| Rated impulse withstand voltage U_{imp} | 4 kV |
| Rated insulation voltage U_i | 250 V |
| Conventional thermal current I_{the} | 5 A |
| Utilisation category | AC-15; DC-13 |
| Rated operating current/voltage I_e/U_e | 5 A/250 VAC; 0.16 A/230 VDC |
| Short-circuit protection | 5 A gG/gN fuse |
| Mechanical life | > 1 million operations |
| Operation cycles | max. 1800/h |
| Ambient temperature | -20 °C ... +75 °C |

Approvals



Errors and omissions excepted.

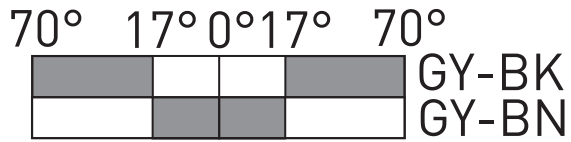


Position switch

E 12 DS - 5m

Material number: 1051778 (Material number old: 12729006)

Switching diagram



Contact diagram

