



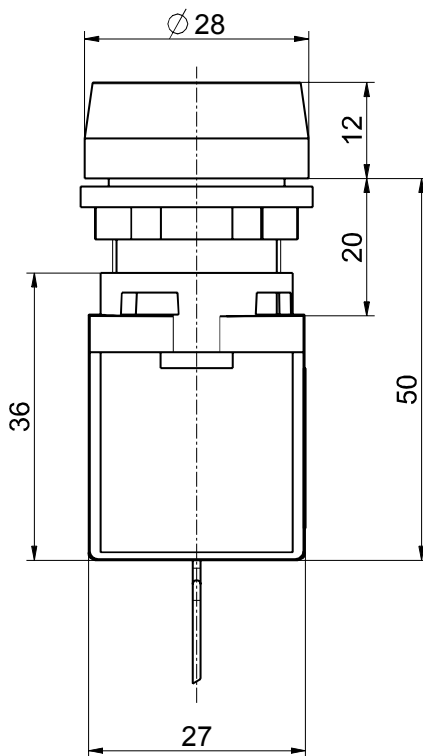
Wireless command device RF BF 74 RTM SW915 Material number: 1329148

Features/Options:

- sWave® wireless technology
- No power supply, no wiring and pipe laying required
- Easy programming of receiver

- Output signal can be individually configured at the receiver
- Actuator: Push button with diaphragm RTM
- Actuator made of plastic

Dimensions



Technical data

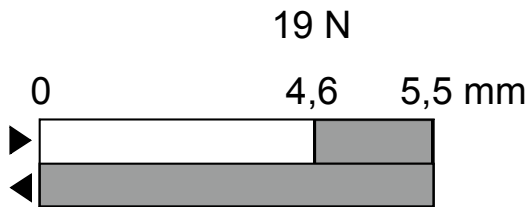
Applied standards	EN 60947-5-1, EN 61000-6-2, EN 61000-6-3, EN 61000-4-2, EN 301 489-1, EN 301 489-3, EN 300 220-1, EN 300 220-2
Enclosure	thermoplastic, glass-fibre reinforced, impact resistant, self-extinguishing UL 94 V-0
Tightening torque	cover screws: approx. 1.6 Nm
Degree of protection	IP 67 to IEC/EN 60529, use only with enclosure for command devices
Protocol	sWave®
Frequency	915 MHz (USA, Canada, Mexico, Australia)
Transmission power	< 25 mW
Data rate	66 kbps
Channel bandwidth	550 kHz
Voltage supply	electrodynamic energy generator
Ambient temperature	-20 °C ... +65 °C
Operation cycles	max. 12000 telegrams with repetitions/h
Wireless range	max. 450 m outdoors, max. 40 m indoors
Mechanical life	800 000 operations
Actuating time	min. 80 ms
Actuating speed V	min. 0.03 m/s; max. 0.25 m/s
Note	no status signal available
Wireless approvals	USA: FCC - XK5-RF95SW915LR Canada: IC - 5158A-RF95SW915LR Mexico: IFT - RCPSTRF17-1884
Weight	40 g

Errors and omissions excepted.



Wireless command device
RF BF 74 RTM SW915
Material number: 1329148

Switching diagram



- ▶ Switch-on travel
- ◀ Switch-off travel, zero position must be achieved again